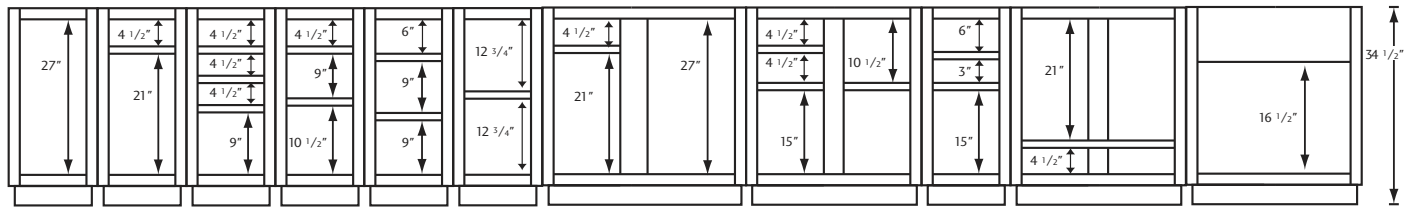


Base Cabinet Alignment



AB	ASB	DB	3DBA	3DB	2DB	BC	BPT	BM	RBR	SRBWT
AEB	B	DB-BB		3DB-BB	3DDB	BCDRT				
ASBC	BA	DB-CB		3DB-CB	4DDB	BCPTY				
ASSSW	BA-FL	DB-USB			B-VG	BCRS				
2BSP	B-BB				2DB-VG	BCSOS				
BAC	B-CB					PBC				
BCS	B-FS									
BDW	BPTY									
BF	B-RT									
BFP	BTB									
BF-RTT	B-USB									
BMXS	B-WB									
BOWFT	B-WK									
BWWC	BWWDIA									
CIBFS	CBD									
CIBLS	CDB-CB									
COB	CDB-USB									
COXB	DCSB									
CSF	DDR									
DCB-FS	DSF									
DCB-RSS	IPB									
DCLS	IPBW									
DCLSCW	KB									
LSB	KB-CB									
RC	PB									
SBC	RCB									
SBC-FS	RCSB									
SBC-RSS	RM									
SLSB	SF									
SRBBOWFT	SRB									
SSS	SRBA									
SSSCW	SSB									
SSSW										
TB										
WB										
WBXXW										

○ See the **HelpZone** for information on designing and installing base cabinets diagonally in a corner

Standards for Single Door Base Cabinets

- Depth is 24".
- Vertical stiles on the cabinet frame are 1 1/2" wide.
- Horizontal rails on the cabinet frame are 1 1/2" high.
- Toe kick height is 4 1/2".
- Toe kick recess is 2 5/8".
- Door opening height is 21".
- Drawer opening height is 4 1/2".
- To compute the door/drawer opening width on a **single door** standard base cabinet, subtract 3" from cabinet width.
- For any standard base cabinet with **full height doors**, the height opening is 27". To compute the door/drawer opening width, subtract 3" from cabinet width
- Arched door styles are NOT available in base cabinets.

Standards for Double Door Base Cabinets

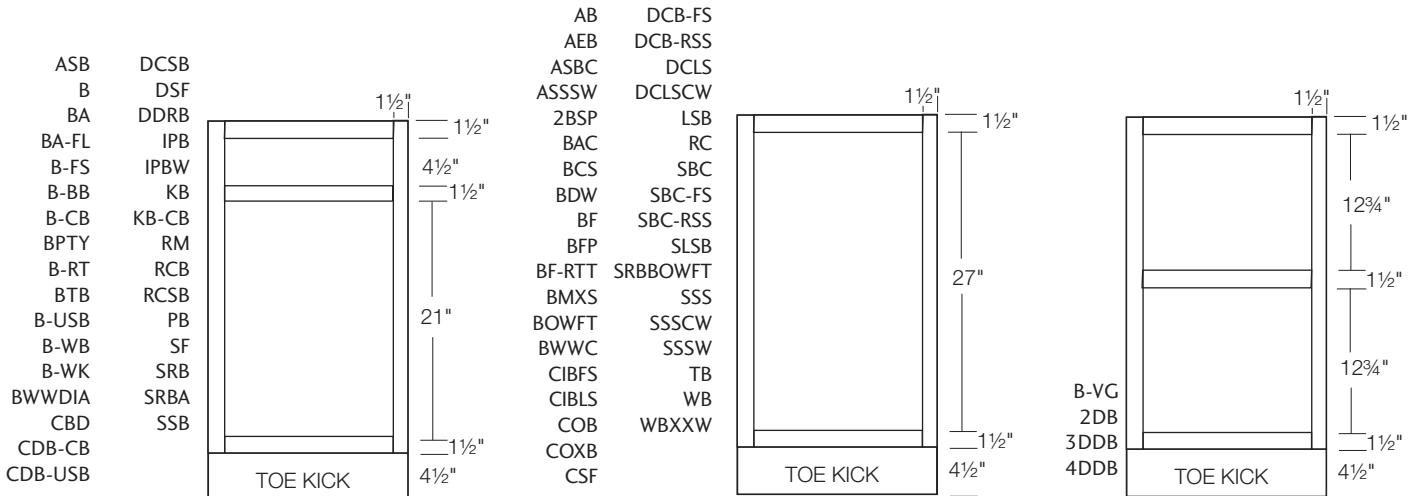
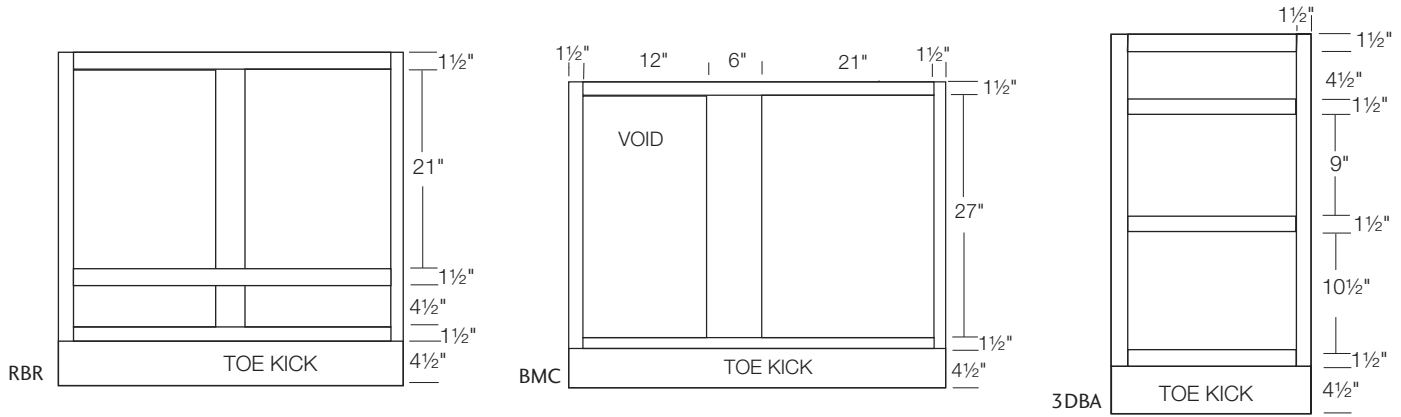
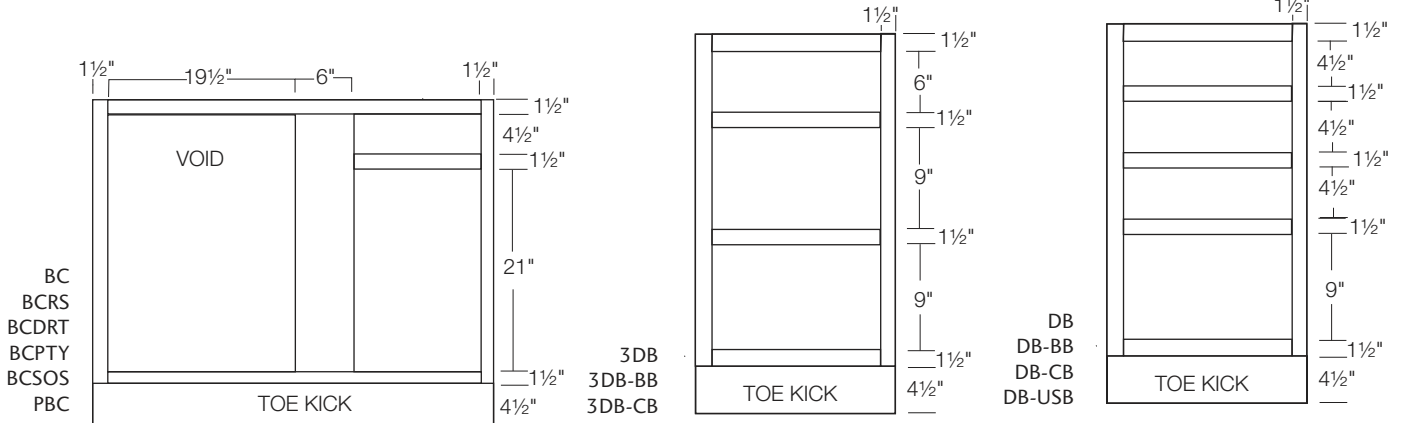
- Depth is 24".
- Vertical stiles on the cabinet frame are 1 1/2" wide.
- Horizontal rails on the cabinet frame are 1 1/2" high.
- Toe kick height is 4 1/2".
- Toe kick recess is 2 5/8".
- Door opening height is 21".
- Drawer opening height is 4 1/2".
- A prefix of "2" denotes a cabinet built with butt doors. The cabinet is considered "full access" because there is no center mullion.
- Butt doors are not available in cabinets that are wider than 36". Cabinets wider than 36" will have a fixed center mullion. A fixed center mullion is necessary for stability.
- Butt doors cabinets have full width drawers.
- To compute the width of an individual door opening on a **Double Door** standard base cabinet, subtract 6" from the cabinet width and divide by 2.
- To compute the width of an individual door opening on a **Butt Door** standard base cabinet, subtract 3" from the width and divide by 2.
- For any standard base cabinet with **full height doors**, the height opening is 27". Width opening is calculated using the same formulas described above.
- Arched door styles are NOT available in base cabinets.

BASE CABINETS

Alignment, Standards and Dimensions

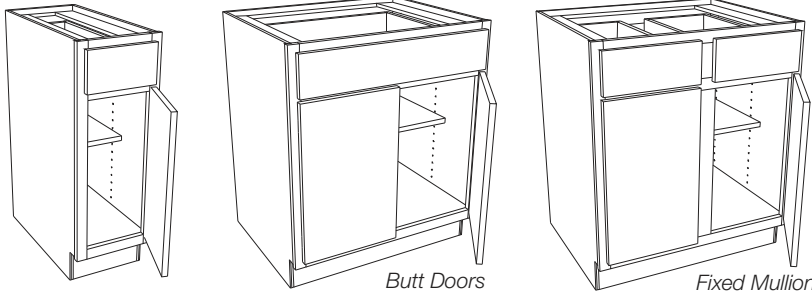
STARMARK
CABINETRY

Face Frame Dimensions for Base Cabinets





Block 3000 Standard Base



Single Door
B09
B12
B15
B18
B21
B24

Butt Doors
2B24
2B27
2B30
2B33
2B36

Fixed Mullion
B30
B33
B36
B39
B42
B45
B48

DESIGN CONSIDERATIONS

- 34½" High - 24" Deep**
• 1 adjustable ¾ depth shelf

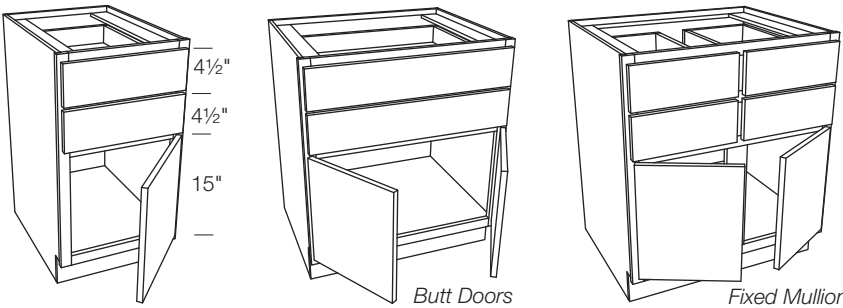
HOW TO ORDER

- Specify L or R hinging on Single Door cabinet
- Pricing P-117.

NOTES/CAUTION

- 9" wide cabinets not available in inset.

Block 3001 Base Two Drawer above Doors



Single Door
B2D12
B2D15
B2D18
B2D21
B2D24

Butt Doors
2B2D24
2B2D27
2B2D30
2B2D33
2B2D36

Fixed Mullion
B2D30
B2D33
B2D36
B2D39
B2D42
B2D45
B2D48

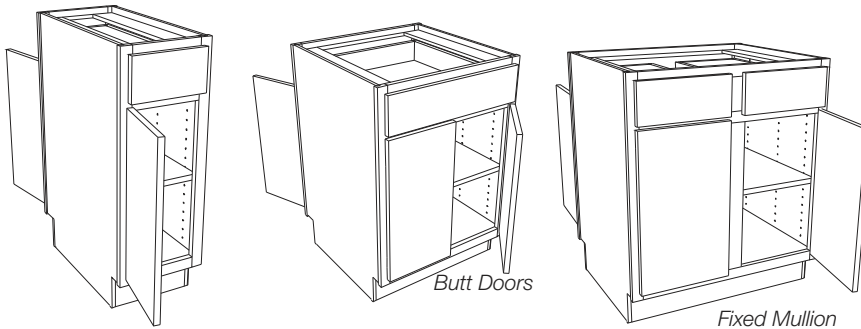
DESIGN CONSIDERATIONS

- 34½" High - 24" Deep**
• No shelf

HOW TO ORDER

- Specify L or R hinging on Single Door cabinet
- Pricing P-117.

Block 3010 Peninsula Base



Single Door
PB12
PB15
PB18
PB21
PB24

Butt Doors
2PB24
2PB27
2PB30
2PB33
2PB36

Fixed Mullion
PB30
PB36
PB39
PB42
PB45
PB48

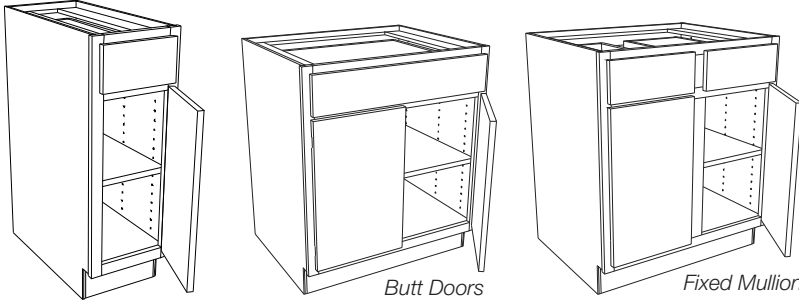
DESIGN CONSIDERATIONS

- 34½" High - 24" Deep**
• 1 adjustable full depth shelf
• Peninsula single door is hinged on the same side of cabinet as kitchen single door

HOW TO ORDER

- Specify L or R hinging on Single Door cabinet
- Pricing P-118.

Block 3020 Base with Full Depth Shelf



DESIGN CONSIDERATIONS

- 34½" High - 24" Deep**
- 1 adjustable full depth shelf

HOW TO ORDER

- Specify **L** or **R** hinging on Single Door cabinet
- Pricing P-118.

Single Door

- B12FS**
- B15FS**
- B18FS**
- B21FS**
- B24FS**

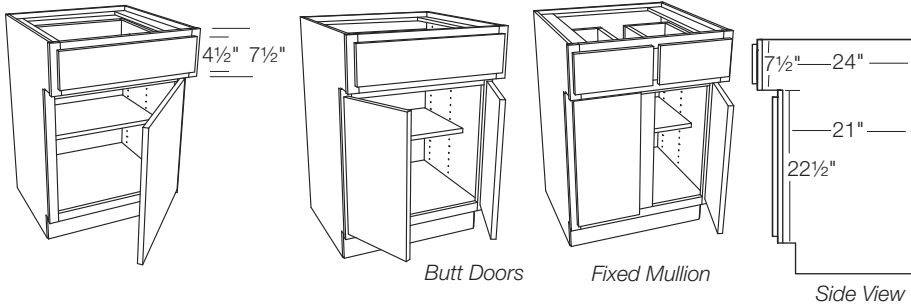
Butt Doors

- 2B24FS**
- 2B27FS**
- 2B30FS**
- 2B33FS**
- 2B36FS**

Fixed Mullion

- B30FS**
- B33FS**
- B36FS**
- B39FS**
- B42FS**
- B45FS**
- B48FS**

Block 3023 Base Recessed Back



DESIGN CONSIDERATIONS

- 34½" High**
- 1 adjustable ⅔ depth shelf
 - 24" deep at drawer
 - 21" deep at door
 - Underside of drawer area is birch melamine

HOW TO ORDER

- Specify **L** or **R** hinging on Single Door cabinet
- Pricing P-119.

NOTES/CAUTION

- 9" wide cabinets not available in inset.

Single Door

- BRB09**
- BRB12**
- BRB15**
- BRB18**
- BRB21**
- BRB24**

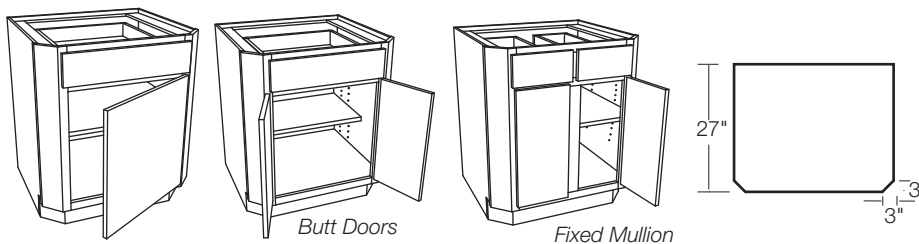
Butt Doors

- 2BRB24**
- 2BRB27**
- 2BRB30**
- 2BRB33**
- 2BRB36**

Fixed Mullion

- BRB30**
- BRB33**
- BRB36**
- BRB39**
- BRB42**
- BRB45**
- BRB48**

Block 3025 Base Angled Stiles



DESIGN CONSIDERATIONS

- 34½" High - 27" Deep**
- 1 adjustable ⅔ depth shelf
 - 24" deep at end panels
 - 27" deep overall

HOW TO ORDER

- Specify **L** or **R** hinging on Single Door cabinet
- Pricing P-119.

NOTES/CAUTION

- BA15 not available in inset.

Single Door

- BA15**
- BA18**
- BA21**
- BA24**
- BA27**
- BA30**

Butt Doors

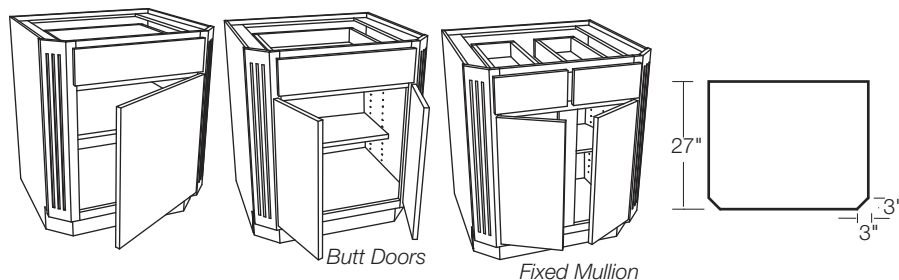
- 2BA30**
- 2BA33**
- 2BA36**

Fixed Mullion

- BA36**
- BA39**
- BA42**
- BA45**
- BA48**



Block 3026 Base Angled Stiles with Flutes



Single Door
BA15FL
BA18FL
BA21FL
BA24FL
BA27FL
BA30FL

Butt Doors
2BA30FL
2BA33FL
2BA36FL

Fixed Mullion
BA36FL
BA39FL
BA42FL
BA45FL
BA48FL

DESIGN CONSIDERATIONS

34½" High - 27" Deep

- 1 adjustable ¾ depth shelf
- 24" deep at end panels
- 27" deep overall
- Flutes stop 2" from top and bottom unless otherwise specified.

HOW TO ORDER

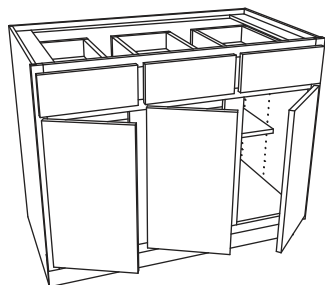
- Specify **L** or **R** hinging on Single Door cabinet
- Pricing P-120.

NOTES/CAUTION

- BA15FL not available in inset.



Block 3027 Three Door Base



3B36
3B39
3B42
3B45
3B48
3B51
3B54

3B57
3B60
3B63
3B66
3B69
3B72

Cabinet Width	Three equal openings
36"	9"
39"	10"
42"	11"
45"	12"
48"	13"
51"	14"
54"	15"
57"	16"
60"	17"
63"	18"
66"	19"
69"	20"
72"	21"

DESIGN CONSIDERATIONS

34½" High - 24" Deep

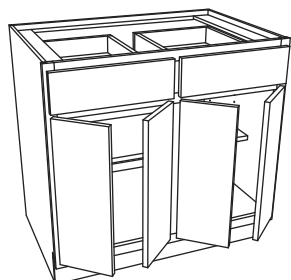
- 1 adjustable ¾ depth shelf
- Three equal openings

HOW TO ORDER

- Specify **L** or **R** hinging for all three doors, starting with the left door. For example: LLR left door hinge left, middle door hinge left, right door hinge right.
- Cabinets wider than 48" include a partition behind one center mullion. Specify **L** left or **R** right.
- Pricing P-120.



Block 3028 Four Door Base



4B48
4B51
4B54
4B57
4B60

4B63
4B66
4B69
4B72

DESIGN CONSIDERATIONS

34½" High - 24" Deep

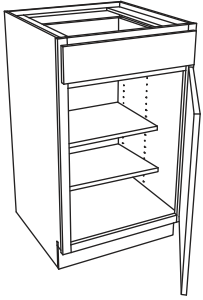
- 1 adjustable ¾ depth shelf
- Two sets of butt doors
- Cabinets wider than 48" include a partition separating the two door openings.

HOW TO ORDER

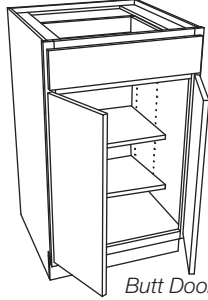
- Pricing P-121.

Cabinet Width	Two equal openings
48"	21"
51"	22½"
54"	24"
57"	25½"
60"	27"
63"	28½"
66"	30"
69"	31½"
72"	33"

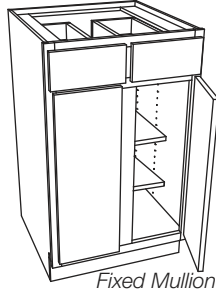
Block 3029 Base Tall



Single Door
BT09
BT12
BT15
BT18
BT21
BT24



Butt Doors
2BT24
2BT27
2BT30
2BT33
2BT36



Fixed Mullion
BT30
BT33
BT36
BT39
BT42
BT45
BT48

DESIGN CONSIDERATIONS

40½" High - 24" Deep

- 2 adjustable ¾ depth shelves

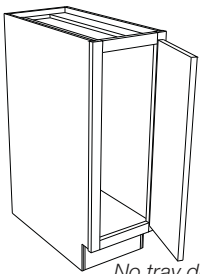
HOW TO ORDER

- Specify L or R hinging on Single Door cabinet
- Pricing P-121.

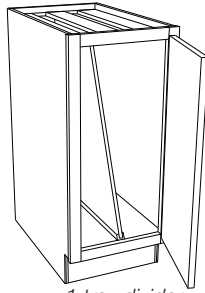
NOTES/CAUTION

- 9" wide cabinets not available in inset.

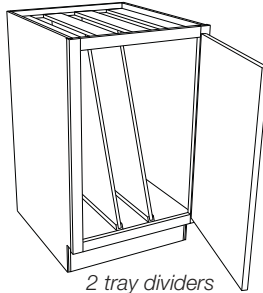
Block 3030 Tray Base



No tray divider
TB09
TB12



1 tray divider
TB15
TB18



2 tray dividers
TB21
TB24

DESIGN CONSIDERATIONS

34½" High - 24" Deep

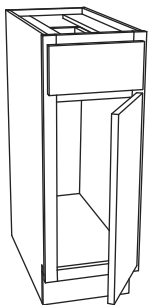
HOW TO ORDER

- Specify L or R hinging
- Pricing P-122.

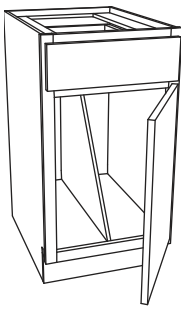
NOTES/CAUTION

- 9" wide cabinets not available in inset.

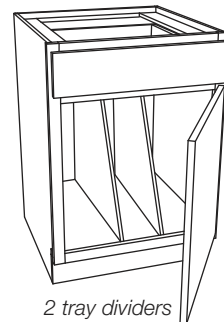
Block 3031 Tray Base with Drawer Above



No tray divider
BTB09
BTB12



1 tray divider
BTB15
BTB18



2 tray dividers
BTB21
BTB24

DESIGN CONSIDERATIONS

34½" High - 24" Deep

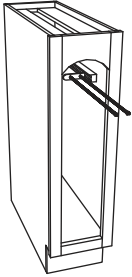
HOW TO ORDER

- Specify L or R hinging
- Pricing P-122.

NOTES/CAUTION

- 9" wide cabinets not available in inset.

Block 3032 Base with Towel Bar



BSTB09
BSTB12

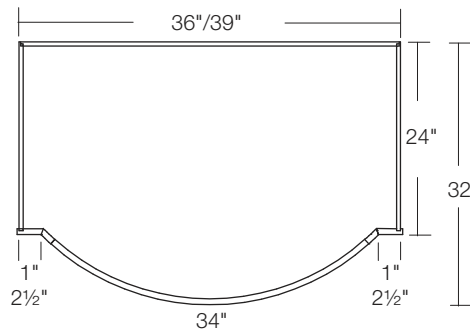
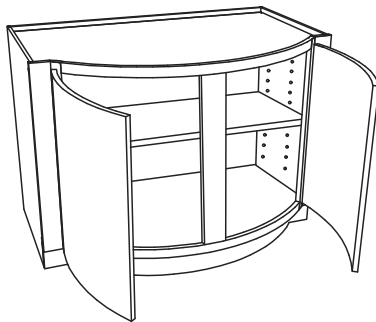
DESIGN CONSIDERATIONS

- 34½" High - 24" Deep**
- No shelf
 - Stained veneer interior
 - Eyebrow valance is standard

HOW TO ORDER

- Includes slide out towel bar. Specify Left (STBKL) or Right (STBKR)
- Pricing P-123.

Block 3039* Bow Front Base



BOWFT36
BOWFT39

DESIGN CONSIDERATIONS

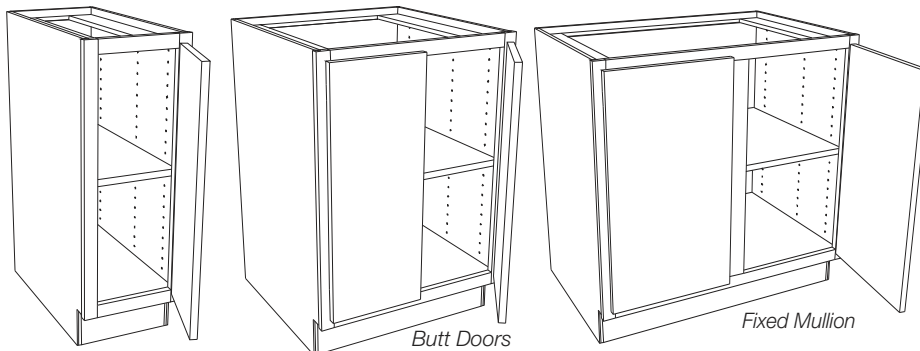
- 34½" High - 24" Deep - 24" Radius**
- 1 adjustable full depth shelf
 - Full height doors
 - No width or height modification

HOW TO ORDER

- Available in Accord, Alite, Georgetown, Harmony, Monroe, Royale, Tempo and Tudor
- Not available in Alder or Rustic Alder
- Cannot be placed on Rush order
- Pricing P-123.

* On select door styles only

Block 3040 Base with Full Height Doors



Single Door
BF09
BF12
BF15
BF18
BF21
BF24

Butt Doors
2BF24
2BF27
2BF30
2BF33
2BF36

Fixed Mullion
BF36
BF39
BF42
BF45
BF48

DESIGN CONSIDERATIONS

- 34½" High - 24" Deep**
- 1 adjustable full depth shelf

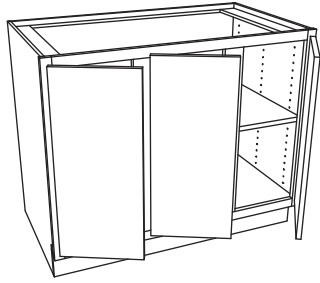
HOW TO ORDER

- Specify L or R hinging on Single Door cabinet
- Pricing P-123.

NOTES/CAUTION

- 9" wide cabinets not available in inset.

Block 3041 Full Height Three Door Base



- | | |
|--------------|--------------|
| 3BF36 | 3BF57 |
| 3BF39 | 3BF60 |
| 3BF42 | 3BF63 |
| 3BF45 | 3BF66 |
| 3BF48 | 3BF69 |
| 3BF51 | 3BF72 |
| 3BF54 | |

Cabinet Width	Three equal openings
36"	9"
39"	10"
42"	11"
45"	12"
48"	13"
51"	14"
54"	15"
57"	16"
60"	17"
63"	18"
66"	19"
69"	20"
72"	21"

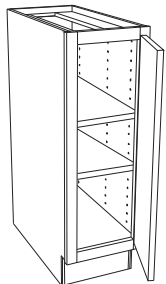
DESIGN CONSIDERATIONS

- 34½" High - 24" Deep**
- 1 adjustable full depth shelf
 - Three equal openings

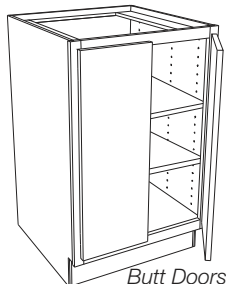
HOW TO ORDER

- Specify **L** or **R** hinging for all three doors, starting with the left door. For example: LLR left door hinge left, middle door hinge left, right door hinge right.
- Cabinets wider than 48" include a partition behind one center mullion. Specify **L** left or **R** right.
- Pricing P-124.

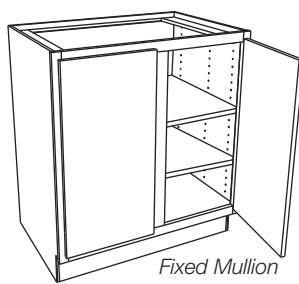
Block 3042 Tall Full Height Base



- Single Door
BFT09
BFT12
BFT15
BFT18
BFT21
BFT24



- Butt Doors
2BFT24
2BFT27
2BFT30
2BFT33
2BFT36



- Fixed Mullion
BFT36
BFT39
BFT42
BFT45
BFT48

DESIGN CONSIDERATIONS

- 40½" High - 24" Deep**
- 2 adjustable full depth shelves

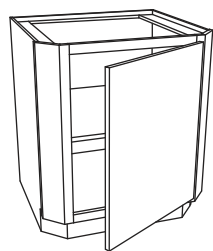
HOW TO ORDER

- Specify **L** or **R** hinging on Single Door cabinet
- Pricing P-124.

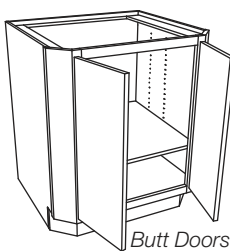
NOTES/CAUTION

- 9" wide cabinets not available in inset.

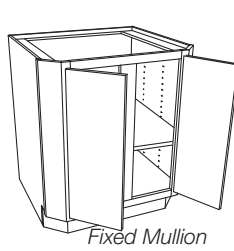
Block 3043 Base with Full Height Door and Angled Stile



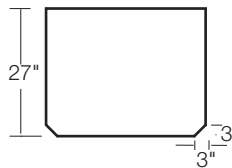
- Single Door
BFA15
BFA18
BFA21
BFA24



- Butt Doors
2BFA30
2BFA33
2BFA36



- Fixed Mullion
BFA36
BFA39
BFA42
BFA45
BFA48



DESIGN CONSIDERATIONS

- 34½" High - 27" Deep**
- 1 adjustable full depth shelf
 - 24" deep at end panels
 - 27" deep overall

HOW TO ORDER

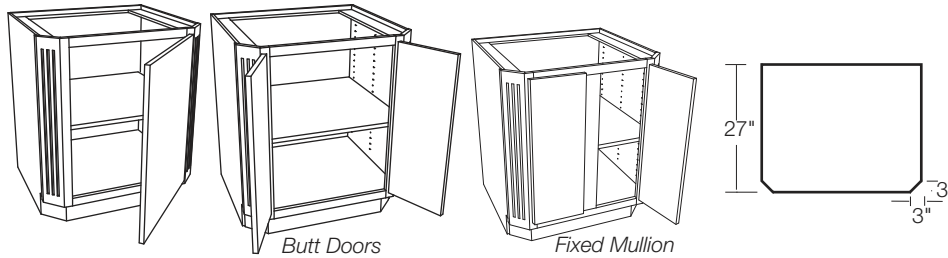
- Specify **L** or **R** hinging on Single Door cabinet
- Pricing P-125.

NOTES/CAUTION

- BFA15 not available in inset.



Block 3044 Base with Full Height Door and Angled Stile with Flutes



Single Door
BFA15FL
BFA18FL
BFA21FL
BFA24FL

Butt Doors
2BFA30FL
2BFA33FL
2BFA36FL

Fixed Mullion
BFA36FL
BFA39FL
BFA42FL
BFA45FL
BFA48FL

DESIGN CONSIDERATIONS

- 34½" High - 27" Deep**
- 1 adjustable full depth shelf
 - 24" deep at end panels
 - 27" deep overall
 - Flutes stop 2" from top and bottom unless otherwise specified.

HOW TO ORDER

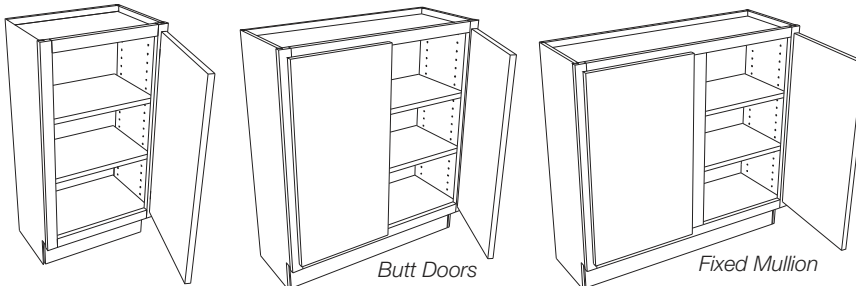
- Specify **L** or **R** hinging on Single Door cabinet
- Pricing P-125.

NOTES/CAUTION

- BFA15FL not available in inset.



Block 3045 Wall Base with Toe Space



Single Door
WB0934
WB1234
WB1534
WB1834
WB2134
WB2434

Butt Doors
2WB2434
2WB2734
2WB3034
2WB3334
2WB3634

Fixed Mullion
WB3634
WB3934
WB4234
WB4834

DESIGN CONSIDERATIONS

- 34½" High - 12" Deep**
- 2 adjustable full depth shelves

HOW TO ORDER

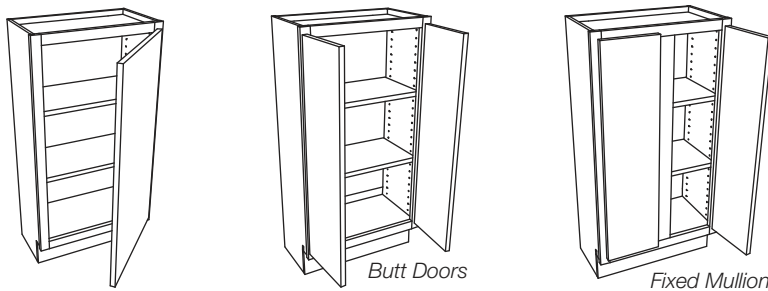
- Specify **L** or **R** hinging on Single Door cabinet
- Pricing P-126.

NOTES/CAUTION

- 9" wide cabinets not available in inset.



Block 3046 Wall Base Tall



Single Door
WBT1240
WBT1540
WBT1840
WBT2140
WBT2440

Butt Doors
2WBT2440
2WBT2740
2WBT3040
2WBT3340
2WBT3640

Fixed Mullion
WBT3640
WBT3940
WBT4240
WBT4840

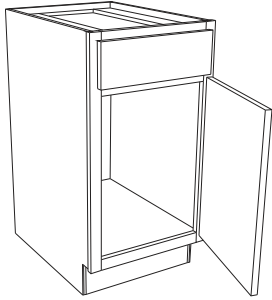
DESIGN CONSIDERATIONS

- 40½" High - 12" Deep**
- 2 adjustable full depth shelves

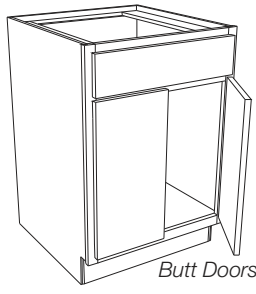
HOW TO ORDER

- Specify **L** or **R** hinging on Single Door cabinet
- Pricing P-126.

Block 3050 Sink/Range Base



Single Door
SRB15
SRB18
SRB21
SRB24



Butt Doors
2SRB24
2SRB27
2SRB30
2SRB33
2SRB36



Fixed Mullion
SRB30
SRB33
SRB36
SRB39
SRB42
SRB45
SRB48

DESIGN CONSIDERATIONS

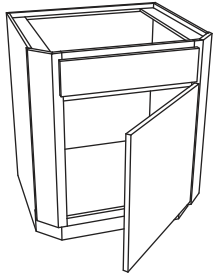
34½" High - 24" Deep

- No shelf or drawer
- Fixed drawer header
- Full back

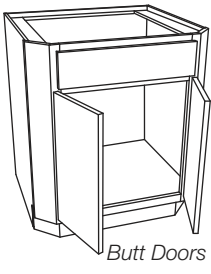
HOW TO ORDER

- Specify **L** or **R** hinging on Single Door cabinet
- Pricing P-127.

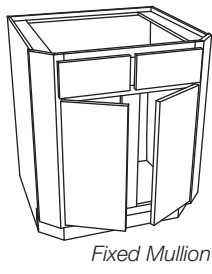
Block 3051 Sink/Range Base with Angled Stile



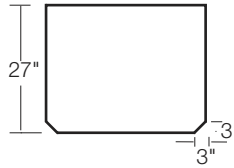
Single Door
SRBA18
SRBA21
SRBA24
SRBA27
SRBA30



Butt Doors
2SRBA30
2SRBA33
2SRBA36
2SRBA39
2SRBA42



Fixed Mullion
SRBA45
SRBA48



DESIGN CONSIDERATIONS

34½" High - 27" Deep

- No shelf or drawer
- Fixed drawer header
- 24" deep at end panels
- 27" deep overall

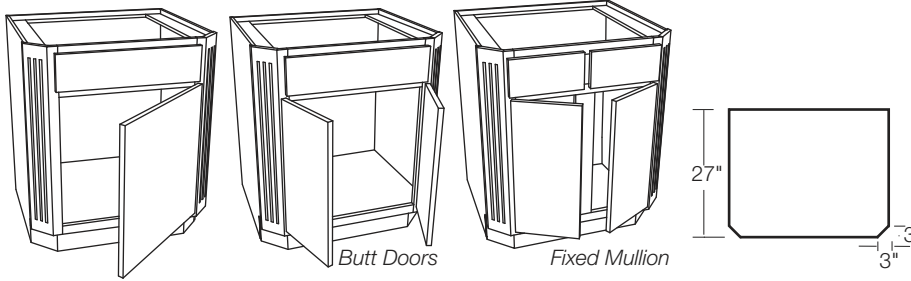
HOW TO ORDER

- If ordered with a STBK you need to specify a partition. See block 12425.
- Specify **L** or **R** hinging on Single Door cabinet
- Pricing P-127.

Cabinet Width	Face Frame Opening	
	Sink Area	
18	12"	9"
21	15"	12"
24	18"	15"
27	21"	18"
30	24"	21"
33	27"	24"
36	30"	27"
39	33"	30"
42	36"	33"
45	39"	2 (16½" openings)
48	42"	2 (18" openings)



Block 3052 Sink/Range Base with Angled Stile and Flutes



Single Door
SRBA18FL
SRBA21FL
SRBA24FL
SRBA27FL
SRBA30FL

Butt Doors
2SRBA30FL
2SRBA33FL
2SRBA36FL
2SRBA39FL
2SRBA42FL

Fixed Mullion
SRBA45FL
SRBA48FL

DESIGN CONSIDERATIONS

34½" High - 27" Deep

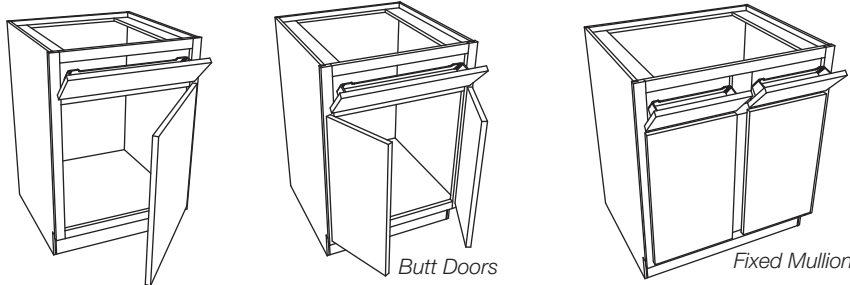
- No shelf or drawer
- Fixed drawer header
- 24" deep at end panels
- 27" deep overall
- Flutes stop 2" from top and bottom unless otherwise specified.

HOW TO ORDER

- Specify L or R hinging on Single Door cabinet
- If ordered with a STBK you need to specify a partition. See block 12425.
- Pricing P-128.

Cabinet Width	Sink Area	Face Frame Opening
18	12"	9"
21	15"	12"
24	18"	15"
27	21"	18"
30	24"	21"
33	27"	24"
36	30"	27"
39	33"	30"
42	36"	33"
45	39"	2 (16½" openings)
48	42"	2 (18" openings)

Block 3053 Sink/Range Base with Drawer Front Bins



Single Door
SRBDFB15
SRBDFB18
SRBDFB21
SRBDFB24

Butt Doors
2SRBDFB24
2SRBDFB27
2SRBDFB30
2SRBDFB33
2SRBDFB36

Fixed Mullion
SRBDFB30
SRBDFB33
SRBDFB36
SRBDFB39
SRBDFB42
SRBDFB45
SRBDFB48

DESIGN CONSIDERATIONS

34½" High - 24" Deep

- No shelf or drawer
- Stainless steel bins mounted to drawer header

Cabinet width	Number of drawer front bins
15", 18", 21", 24", 27"	1
30", 33", 36", 39"	2
42", 45", 48"	2

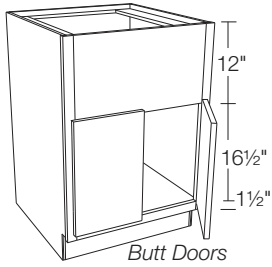
HOW TO ORDER

- Specify L or R hinging on Single Door cabinet
- Pricing P-128.

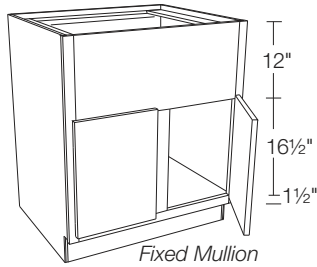
INSTALLATION TIP

Verify bowl size to ensure bins function properly

Block 3055 Sink/Range Base with Wide Top Rail



Butt Doors



Fixed Mullion

Butt Doors
2SRBWT24
2SRBWT27
2SRBWT30
2SRBWT33
2SRBWT36

Fixed Mullion
SRBWT39
SRBWT42
SRBWT45
SRBWT48

DESIGN CONSIDERATIONS

34 1/2" High - 24" Deep

- Use this base cabinet to accommodate apron sinks and special cooktops
- No shelf
- Full back

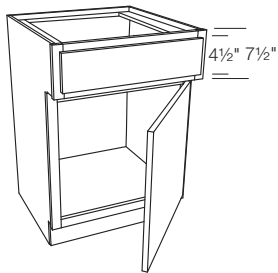
HOW TO ORDER

- Pricing P-129.

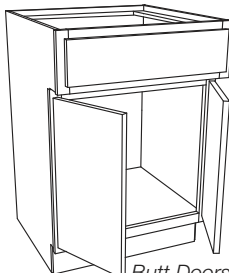
INSTALLATION TIP

Trim the wide top rail on the jobsite

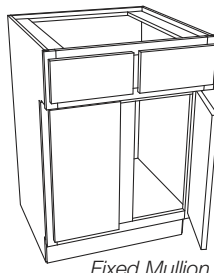
Block 3056 Sink/Range Base with Recessed Front



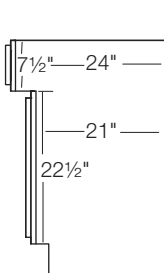
4 1/2" 7 1/2"



Butt Doors



Fixed Mullion



Side View

Single Door
SRBRB15
SRBRB18
SRBRB21
SRBRB24

Butt Doors
2SRBRB24
2SRBRB27
2SRBRB30
2SRBRB33
2SRBRB36

Fixed Mullion
SRBRB30
SRBRB33
SRBRB36
SRBRB39
SRBRB42
SRBRB45
SRBRB48

DESIGN CONSIDERATIONS

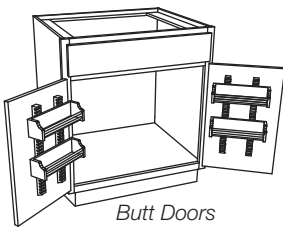
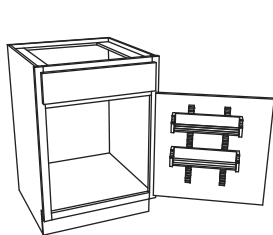
34 1/2" High - 24" Deep

- No shelf or drawer
- Fixed drawer header
- Full back
- 24" deep at drawer
- 21" deep at door
- Underside of header area is birch melamine

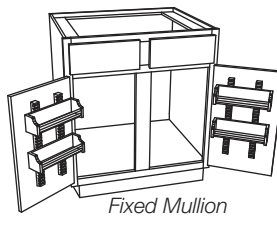
HOW TO ORDER

- Specify L or R hinging on Single Door cabinet
- Pricing P-129.

Block 3057 Sink/Range Base with Spice Shelf



Butt Doors



Fixed Mullion

Single Door
SRB15SS
SRB18SS
SRB21SS
SRB24SS

Butt Doors
2SRB30SS
2SRB33SS
2SRB36SS

Fixed Mullion
SRB30SS
SRB33SS
SRB36SS
SRB39SS
SRB42SS
SRB45SS
SRB48SS

DESIGN CONSIDERATIONS

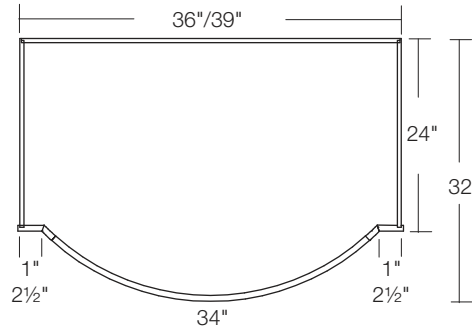
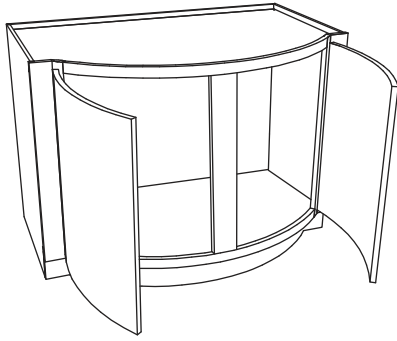
34 1/2" High - 24" Deep

- No shelf or drawer
- Fixed drawer header
- Full back
- Spice shelves are 3" deep. Inside capacity is 2 1/4".
- Spice shelves are adjustable up and down
- Two spice shelves per door

HOW TO ORDER

- Specify L or R hinging on Single Door cabinet
- Pricing P-129-130.

Block 3058* Sink/Range Base with Bow Front



DESIGN CONSIDERATIONS

34½" High - 24" Deep - 24" Radius

- No shelf or drawer
- Full back
- No width or height modification

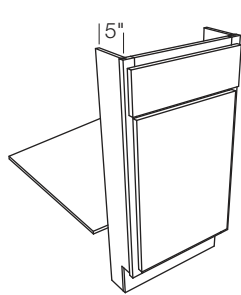
HOW TO ORDER

- Available in Accord, Alite, Georgetown, Harmony, Monroe, Royale, Tempo and Tudor
- Not available in Alder or Rustic Alder
- Cannot be placed on Rush order
- Pricing P-130.

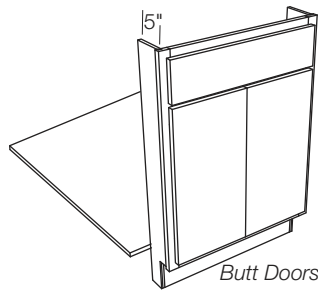
SRBBOWFT36
SRBBOWFT39

* On Select Door Styles Only

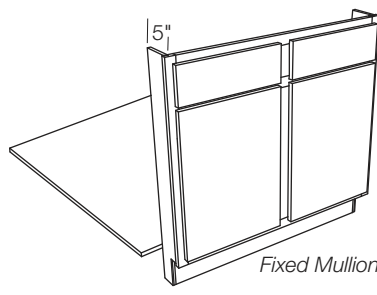
Block 3060 Sink Front



Single Door
SF18
SF21
SF24



Butt Doors
2SF24
2SF27
2SF30
2SF33
2SF36



Fixed Mullion
SF36

DESIGN CONSIDERATIONS

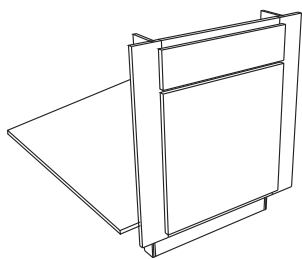
34½" High

- 5" side return
- Floor included

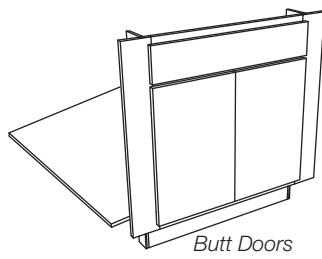
HOW TO ORDER

- Specify **L** or **R** hinging on Single Door cabinet
- Pricing P-130.

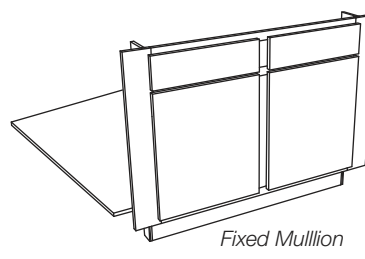
Block 3070 Sink Front with Trimmable Stiles



Single Door
SF30-24



Butt Doors
2SF36-30
2SF42-36



Fixed Mullion
SF48-42
SF54-48

DESIGN CONSIDERATIONS

34½" High

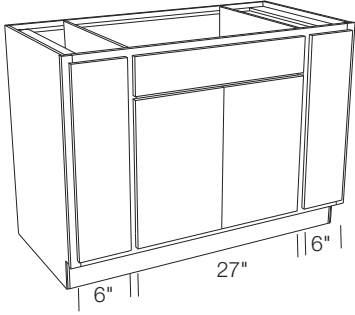
- 5" side return
- Floor included
- Trimmable 3" each side (6" total)

HOW TO ORDER

- Specify **L** or **R** hinging on Single Door cabinet
- Pricing P-131.

Cabinet	Opening Width
SF30-24	21"
2SF36-30	27"
2SF42-36	33"
SF48-42	39"
SF54-48	45"

Block 3080 Super Sink Base



Butt Doors
2SSB48

DESIGN CONSIDERATIONS

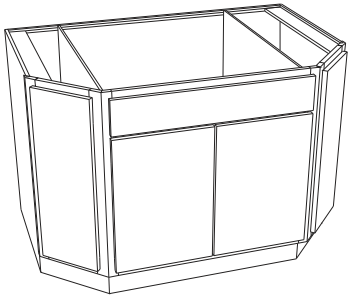
34½" High - 24" Deep

- Fixed, full width drawer header
- No shelf or drawer
- Sink section equivalent to 30" wide SRB

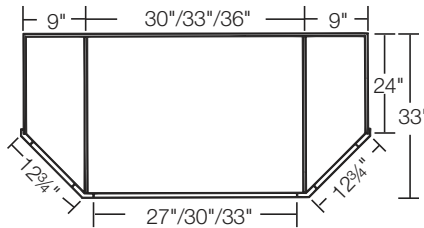
HOW TO ORDER

- Includes slide out towel bar (not shown). Specify **Left** (STBKL) or **Right** (STBKR) and which opening: left, right or center.
- Pricing P-131.

Block 3090 Angle Sink Base



Butt Doors
2ASB48
2ASB51
2ASB54



DESIGN CONSIDERATIONS

34½" High

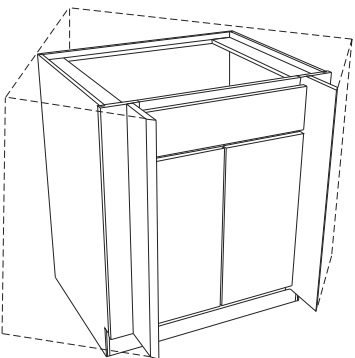
- No shelves or drawer
- Built as one unit
- Full width fixed drawer header
- Sink area 33" deep
- 24" deep at end panels
- ½" thick partitions

HOW TO ORDER

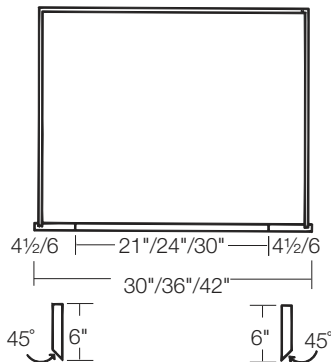
- Includes slide out towel bar (not shown). Specify **Left** (STBKL) or **Right** (STBKR) and which opening: left, right or center.
- Pricing P-131.

Cabinet Width	Sink Area
48	30"
51	33"
54	36"

Block 3100 Recessed Corner Sink Base



Butt Doors
2RCSB42
2RCSB45
2RCSB48



DESIGN CONSIDERATIONS

34½" High - 24" Deep

- No shelves or drawer
- 6" extensions sent loose
- Full width fixed drawer header
- Allow 42" or 45" of wall space for installation

HOW TO ORDER

- Pricing P-131.

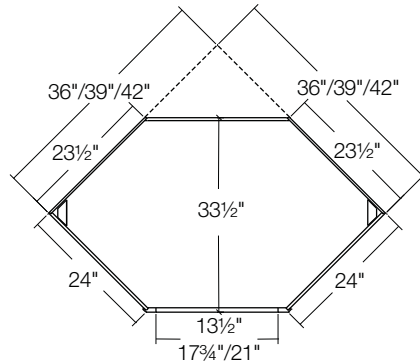
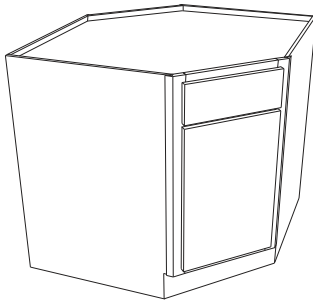
Cabinet	Sink Area
2RCSB42	30"
2RCSB45	36"
2RCSB48	42"

INSTALLATION TIP

We recommend a 9" wide cabinet minimum between this cabinet and a dishwasher.



Block 3110 Diagonal Corner Sink Base



DCSB36
DCSB39
DCSB42

DESIGN CONSIDERATIONS

34½" High - 24" Deep

- No shelves or drawer
- 42" wide for use with double bowl sink
- Fixed drawer header
- Allow 36", 39" or 42" of wall space for installation

HOW TO ORDER

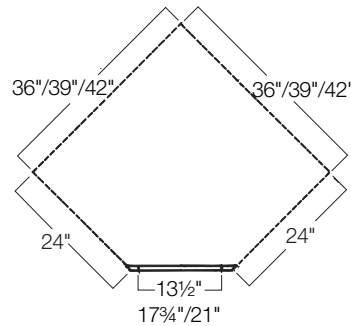
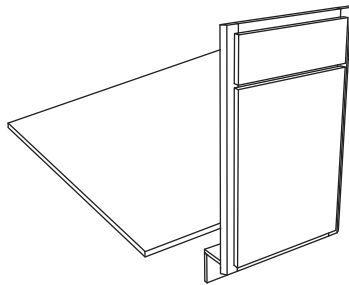
- Specify **L** or **R** hinging
- Pricing P-132.

INSTALLATION TIP

We recommend a 9" wide cabinet minimum between this cabinet and a dishwasher.



Block 3120 Diagonal Corner Sink Front



DSF36
DSF39
DSF42

DESIGN CONSIDERATIONS

34½" High

- Floor included
- 42" wide for use with double bowl sink
- Allow 36", 39" or 42" of wall space for installation

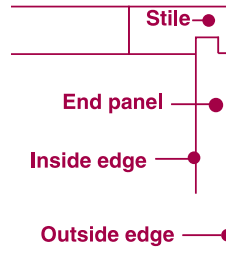
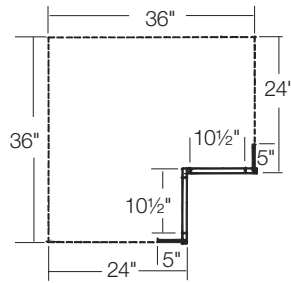
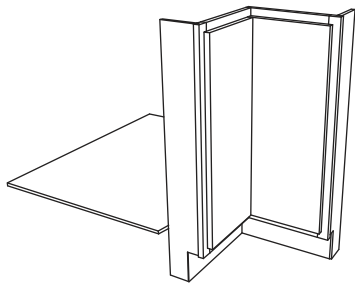
HOW TO ORDER

- Specify **L** or **R** hinging
- Pricing P-132.

INSTALLATION TIP

We recommend a 9" wide cabinet minimum between this cabinet and a dishwasher.

Block 3130 Square Corner Sink Front



DESIGN CONSIDERATIONS

34 1/2" High

- Floor included
- Allow 36" of wall space for installation
- In Inset and 3/4" End Panel Construction, end panels are shifted to outside frame edge, eliminating 1/4" reveal. End panels are not flush.

HOW TO ORDER

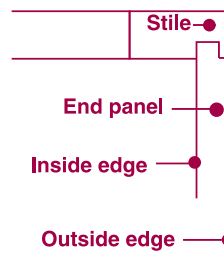
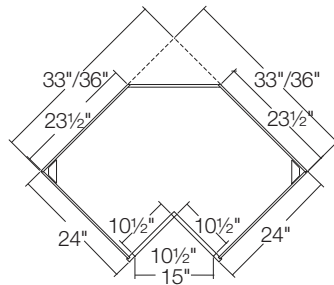
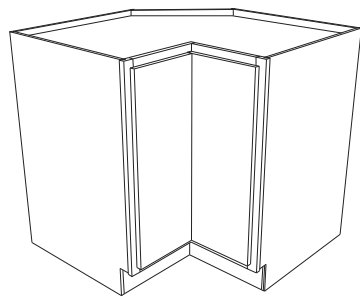
- Specify L or R hinging
- Pricing P-132.

INSTALLATION TIP

We recommend a 9" wide cabinet minimum between this cabinet and a dishwasher.

CSF36

Block 3140 Square Corner Sink Base



DESIGN CONSIDERATIONS

34 1/2" High - 24" Deep

- No shelf
- If you are specifying the Arlington, Glendale, Prescott, Sonoma, Syracuse or Verona door style, please note that SBC33 will be built with a flat panel door.
- If you are specifying the Castlebarry, Melbourne or Woolridge door style, please note that SBC33 will be built with 2 1/4" stiles to maintain the raised center panel.
- Allow 33" or 36" of wall space for installation
- In Inset and 3/4" End Panel Construction, end panels are shifted to outside frame edge, eliminating 1/4" reveal. End panels are not flush.

HOW TO ORDER

- Specify L or R hinging
- Pricing P-132.

INSTALLATION TIP

We recommend a 9" wide cabinet minimum between this cabinet and a dishwasher.

SBC33
SBC36

BLIND CORNER BASES

For blocks

- 3150
- 3155
- 3157
- 3158
- 3159
- 3160
- 3170

DESIGN CONSIDERATIONS

Size	Minimum pull	
	Trad.	Full Intl.
BC37	1"	2"
BC39	0"	1"
BC42	0"	1"
BC45	0"	1"
BC48	0"	1"

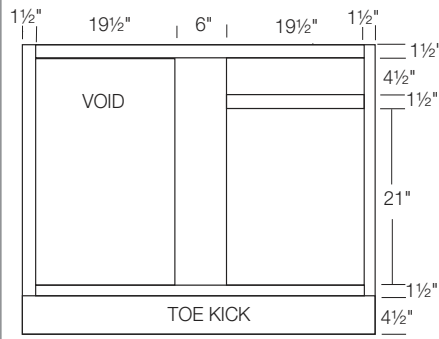
- **Maximum pull 3"**. Allow extra pull when using decorative hardware or placing adjacent to an appliance like a range or refrigerator.
- Void opening is 19½" wide or 12" wide (block 3159 only)
- Refer to blocks 12720 and 12730 for flush or panel void application

HOW TO ORDER

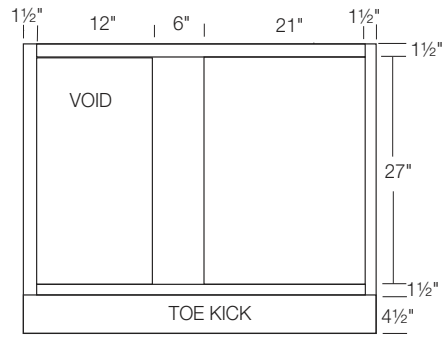
- Specify void left (VL) or void right (VR)

Cabinet Size	Door Opening Width
BC37	9"
BC39	10½"
BC42	13½"
BC45	16½"
BC48	19½"

Dimensions apply to block 3150, 3155, 3157, 3158, 3160 and 3170



Dimensions apply to block 3159



Block 3150 Blind Corner

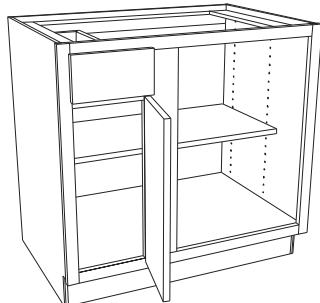


Illustration shows Void Right

- | | |
|---------------|---------------|
| Void Left | Void Right |
| BC37VL | BC37VR |
| BC39VL | BC39VR |
| BC42VL | BC42VR |
| BC45VL | BC45VR |
| BC48VL | BC48VR |

DESIGN CONSIDERATIONS

- 34½" High - 24" Deep**
- 1 adjustable ¾ depth shelf

HOW TO ORDER

- Door will be hinged on void side unless specified
- Pricing P-132.

Block 3155 Blind Corner with Revolving Shelf

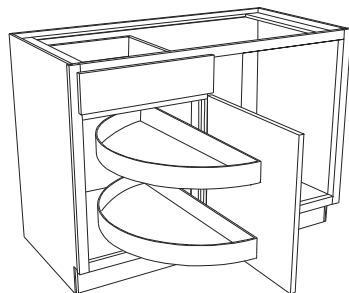


Illustration shows Void Right

- | | |
|-----------------|-----------------|
| Void Left | Void Right |
| BCRS48VL | BCRS48VR |

DESIGN CONSIDERATIONS

- 34½" High - 24" Deep**
- White poly susan shelves
- No modifications allowed

HOW TO ORDER

- Door will be hinged on void side unless specified
- Pricing P-133.

NOTES/CAUTION

- Inset concealed hinges not available.

BLIND CORNER BASES

For blocks

- 3150**
- 3155**
- 3157**
- 3158**
- 3159**
- 3160**
- 3170**

DESIGN CONSIDERATIONS

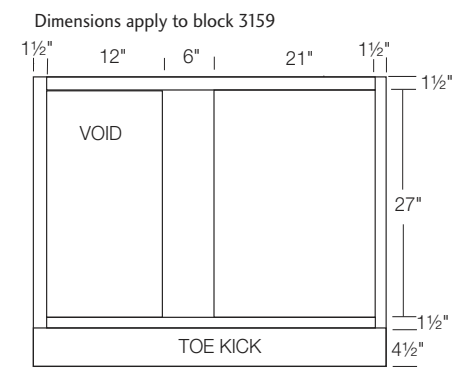
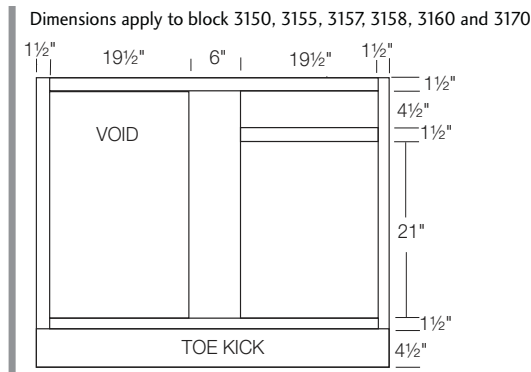
Size	Minimum pull	
	Trad.	Full Intl.
BC37	1"	2"
BC39	0"	1"
BC42	0"	1"
BC45	0"	1"
BC48	0"	1"

- **Maximum pull 3"**. Allow extra pull when using decorative hardware or placing adjacent to an appliance like a range or refrigerator.
- Void opening is 19½" wide or 12" wide (block 3159 only)
- Refer to blocks 12720 and 12730 for flush or panel void application

HOW TO ORDER

- Specify void left (VL) or void right (VR)

Cabinet Size	Door Opening Width
BC37	9"
BC39	10½"
BC42	13½"
BC45	16½"
BC48	19½"



Block 3157 Blind Corner with Swing-out Shelf

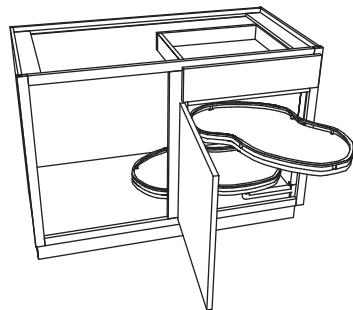


Illustration shows Void Left

Void Left
BCSOS48VL

Void Right
BCSOS48VR

DESIGN CONSIDERATIONS

34½" High - 24" Deep

- Shelves are wood with chrome rails and have a non-skid surface
- Two wood/chrome shelves swing out through opening individually
- No modifications available

HOW TO ORDER

- Door is hinged on void side.
- Pricing P-133.

NOTES/CAUTION

- Opening for swing-out shelves is increased to 20½" to clear inset hinges.

Block 3158 Blind Corner Pantry with Chrome/Wood Baskets

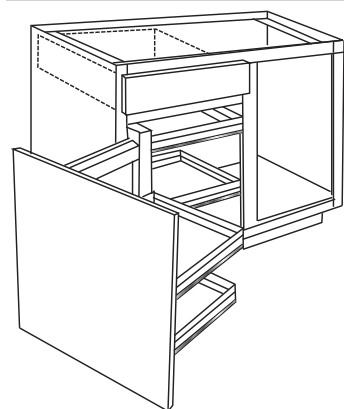


Illustration shows Void Right

Void Left
BCPTY45VL
BCPTY48VL

Void Right
BCPTY45VR
BCPTY48VR

DESIGN CONSIDERATIONS

34½" High - 24" Deep

- Baskets are wood with chrome rails and have a non-skid surface
- 45" cabinet has 2 adjustable 12" wide baskets on the door, and 2 adjustable 15" wide baskets in blind corner
- 48" cabinet has 2 adjustable 15" wide baskets on the door, and 2 adjustable 15" wide baskets in blind corner
- The baskets mounted on the door slide out when the door is opened, while the blind corner baskets roll into the door opening.
- You may not have full access if cabinet is installed next to a range or dishwasher
- No modifications available

HOW TO ORDER

- Pricing P-133.



Block 3159 Blind Corner with Magic Corner Shelves

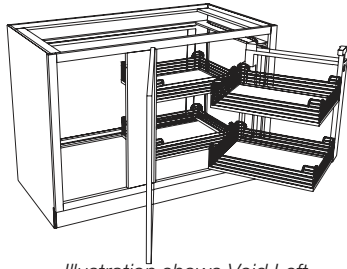


Illustration shows Void Left

Void Left
BMC51VL

Void Right
BMC51VR

DESIGN CONSIDERATIONS

34½" High - 24" Deep

- Shelves are wood with chrome rails and have a non-skid surface
- You may not have full access if cabinet is installed next to a range or dishwasher
- Cabinet is 42" wide and is designed for spaces 49½" - 52"
- There will be some space in the corner that will not be accessible
- The unit has two adjustable shelves that pull out and moves the back shelves into the opening. The back shelves then slide out into the opening.
- No modifications available

HOW TO ORDER

- Door is hinged on void side.
- Pricing P-133.



Block 3160 Blind Corner with Roll Out Trays and Door Shelf

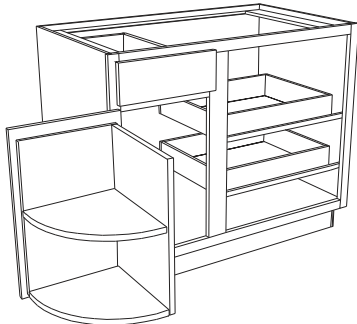
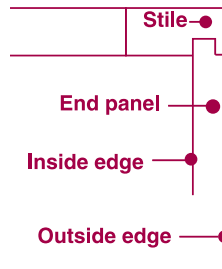


Illustration shows Void Right

Void Left
BCDRT42VL
BCDRT45VL
BCDRT48VL

Void Right
BCDRT42VR
BCDRT45VR
BCDRT48VR



DESIGN CONSIDERATIONS

34½" High - 24" Deep

- Roll out trays roll sideways into door opening
- Wood door shelf kit
- Door must open 180 degrees
- **Door is hinged opposite void**
- You may not have full access if cabinet is installed next to a range or dishwasher
- **In Inset and ¾" End Panel Construction, end panels are shifted to outside frame edge, eliminating ¼" reveal. End panels are not flush.**

HOW TO ORDER

- Pricing P-133.



Block 3170 Peninsula Blind Corner

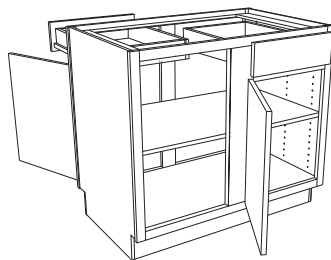


Illustration shows Void Left

Void Left
PBC39VL
PBC42VL
PBC45VL
PBC48VL

Void Right
PBC39VR
PBC42VR
PBC45VR
PBC48VR

DESIGN CONSIDERATIONS

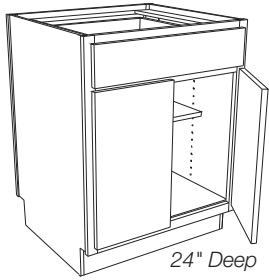
34½" High - 24" Deep

- 1 adjustable full depth shelf

HOW TO ORDER

- Door will be hinged on void side unless specified
- If pulled for clearance, must order extended stile or filler for peninsula side
- Pricing P-134.

Block 3200 Island Peninsula Corner Base



Butt Doors
2IPB27

DESIGN CONSIDERATIONS

34½" High - 24" Deep

- ¾ depth shelf
- 1 full width drawer
- Cabinet has panel over back void
- Illustration shows peninsula side

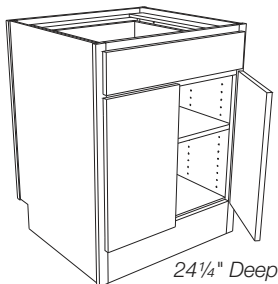
HOW TO ORDER

- Pricing P-134.

INSTALLATION TIP

- For use with peninsula bases
- ¾" face frame on back eliminates need for filler

Block 3210 Island Peninsula Corner Base with Wide Bottom Rail and Full Shelf



Butt Doors
2IPBW27FS

DESIGN CONSIDERATIONS

34½" High - 24¼" Deep

- 1 adjustable full depth shelf
- 6" wide bottom rail
- Full height door option - specify **FHD** in special information
- 1 full width drawer
- Cabinet has panel over back void
- Illustration shows peninsula side

HOW TO ORDER

- Specify **FHD** if you want a full height door
- Pricing P-134.

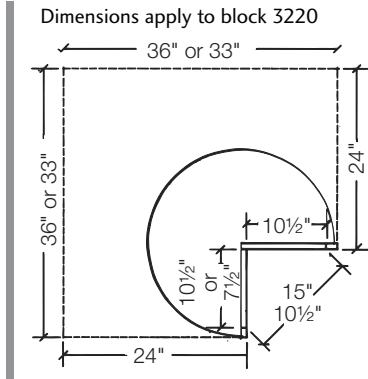
INSTALLATION TIP

- For use with standard bases and ¼" back panel
- ¾" face frame on back eliminates need for filler
- If using an ADIP or FFD back panel, increase depth of cabinet to 24¾"

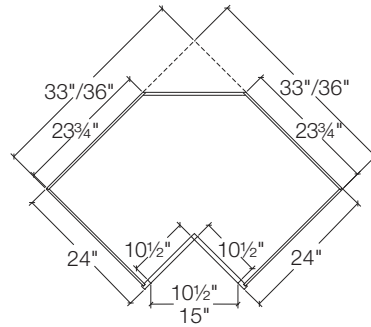
LAZY SUSAN BASE/RECYCLE CENTER/SQUARE SUPER SUSAN/SQUARE BASE CORNER

For blocks

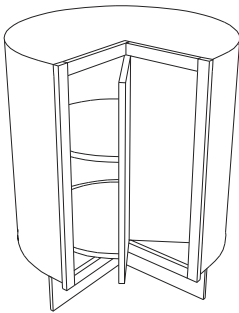
- 3220
- 3300
- 3301
- 3310
- 3320
- 3321
- 3323
- 3325
- 3330
- 3335



Dimensions apply to block 3300, 3310, 3320, 3323, 3325, 3330 and 3335



Block 3220 Lazy Susan Base



LSB33
LSB36

DESIGN CONSIDERATIONS

34 1/2" High

- Doors attached to molded poly susan turntables
- 33" has 18" diameter susan turntables
- 36" has 28" diameter susan turntables
- Allow 33" or 36" of wall space for installation.
- If you are specifying the Arlington, Glendale, Prescott, Sonoma, Syracuse or Verona door style, please note that LSB33 will be built with a flat panel door.
- If you are specifying the Castleberry, Melbourne or Woolridge door style, please note that LSB33 will be built with 2 1/4" stiles to maintain the raised center panel.

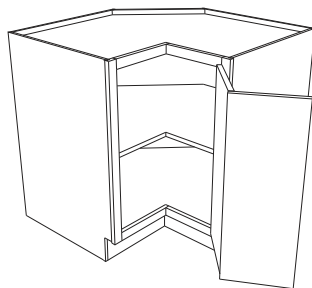
HOW TO ORDER

- Pricing P-134.

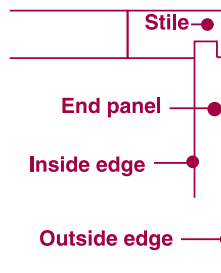
INSTALLATION TIP

We recommend BEP (9080) or LSBEP (9374) when placing this cabinet next to an appliance

Block 3300 Square Base Corner with Full Shelf



SBC33FS
SBC36FS



DESIGN CONSIDERATIONS

34 1/2" High - 24" Deep

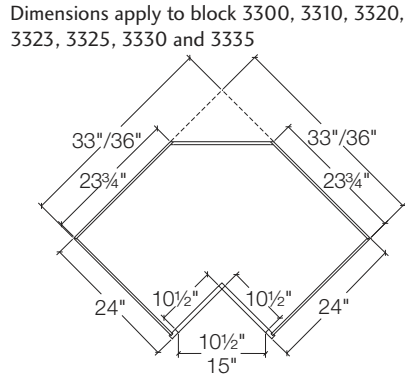
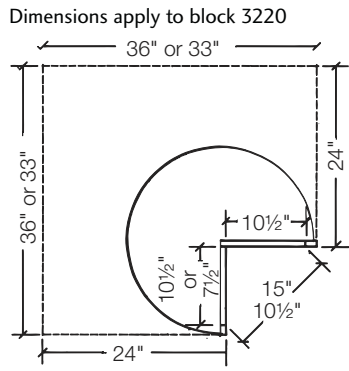
- 1 fixed full depth shelf
- Allow 33" or 36" of wall space for installation
- If you are specifying the Arlington, Glendale, Prescott, Sonoma, Syracuse or Verona door style, please note that SBC33 will be built with a flat panel door.
- If you are specifying the Castleberry, Melbourne or Woolridge door style, please note that SBC33 will be built with 2 1/4" stiles to maintain the raised center panel.
- In Inset and 3/4" End Panel Construction, end panels are shifted to outside frame edge, eliminating 1/4" reveal. End panels are not flush.

HOW TO ORDER

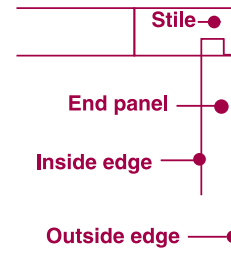
- Specify L or R hinging
- Pricing P-134.

LAZY SUSAN BASE/RECYCLE CENTER/SQUARE SUPER SUSAN/SQUARE BASE CORNER

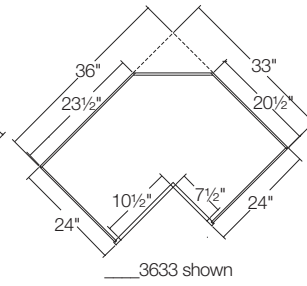
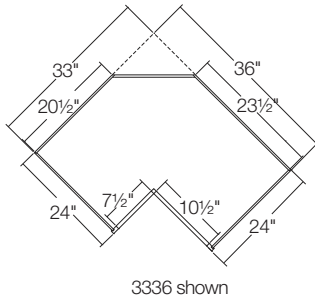
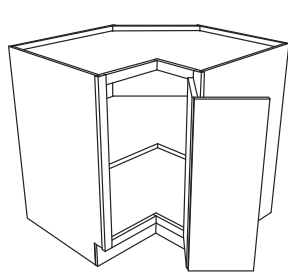
For blocks
3220
3300
3301
3310
3320
3321
3323
3325
3330
3335



Top View for Blocks 3301, 3310, 3320, 3321, 3323, 3325, and 3330



Block 3301 Asymmetrical Base with Full Shelf



ASBC3336FS
ASBC3633FS

DESIGN CONSIDERATIONS

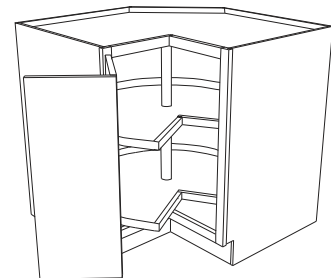
34 1/2" High - 24" Deep

- 1 fixed full depth shelf
- Allow 33" or 36" of wall space for installation
- If you are specifying the Arlington, Glendale, Prescott, Sonoma, Syracuse or Verona door style, please note that ASBC_FS will be built with a flat panel door.
- If you are specifying the Castleberry, Melbourne or Woolridge door style, please note that ASBC_FS will be built with 2 1/4" stiles to maintain the raised center panel.
- Nomenclature reads left width, then right. ASBC3336FS is 33" wide on the left side and 36" wide on the right.
- **In Inset and 3/4" End Panel Construction, end panels are shifted to outside frame edge, eliminating 1/4" reveal. End panels are not flush.**

HOW TO ORDER

- Specify L or R hinging
- Pricing P-135.

Block 3310 Square Super Susan



SSS36

DESIGN CONSIDERATIONS

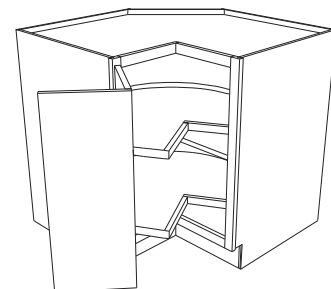
34 1/2" High - 24" Deep

- Two 32" diameter poly susan turntables
- Allow 36" of wall space for installation
- **In Inset and 3/4" End Panel Construction, end panels are shifted to outside frame edge, eliminating 1/4" reveal. End panels are not flush.**

HOW TO ORDER

- Specify L or R hinging
- Pricing P-135.

Block 3320 Square Super Susan with Wood Turntables



SSSW33
SSSW36

DESIGN CONSIDERATIONS

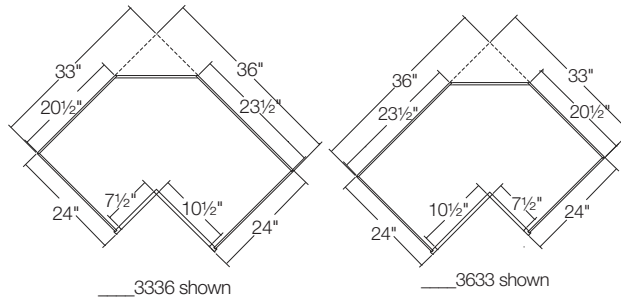
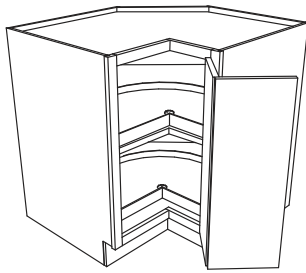
34 1/2" High - 24" Deep

- Two 28" diameter wood turntables for the 33" cabinet
- Two 32" diameter wood turntables for the 36" cabinet
- Allow 33" or 36" of wall space for installation
- If you are specifying the Arlington, Glendale, Prescott, Sonoma, Syracuse or Verona door style, please note that SSW33 will be built with a flat panel door.
- If you are specifying the Castleberry, Melbourne or Woolridge door style, please note that SSW33 will be built with 2 1/4" stiles to maintain the raised center panel.
- Wood turntables have a plywood core with 1/2" thick edging
- **In Inset and 3/4" End Panel Construction, end panels are shifted to outside frame edge, eliminating 1/4" reveal. End panels are not flush.**

HOW TO ORDER

- Specify L or R hinging
- Pricing P-135.

Block 3321 Asymmetrical Base with Lazy Susan



ASSSW3336
ASSSW3633

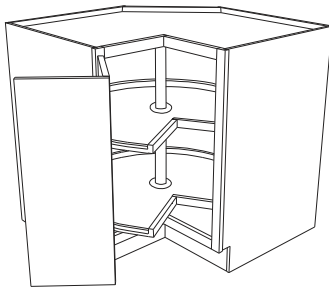
DESIGN CONSIDERATIONS

- 34 1/2" High - 24" Deep**
- Two 28" diameter wood turntables, offset to one side
- Allow 33" or 36" of wall space for installation
- If you are specifying the Arlington, Glendale, Prescott, Sonoma, Syracuse or Verona door style, please note that ASSSW will be built with a flat panel door.
- If you are specifying the Castleberry, Melbourne or Woolridge door style, please note that ASSSW will be built with 2 1/4" stiles to maintain the raised center panel.
- Wood turntables have a plywood core with 1/2" thick edging
- Nomenclature reads left width, then right. ASSSW3336 is 33" wide on left side and 36" wide on the right.
- **In Inset and 3/4" End Panel Construction, end panels are shifted to outside frame edge, eliminating 1/4" reveal. End panels are not flush.**

HOW TO ORDER

- Specify **L** or **R** hinging
- Pricing P-135.

Block 3323 Square Super Susan with Chrome/Wood Turntables



SSSCW36

DESIGN CONSIDERATIONS

- 34 1/2" High - 24" Deep**
- Two 32" wood turntables have chrome railings and a non-skid surface
- Allow 36" of wall space for installation
- **In Inset and 3/4" End Panel Construction, end panels are shifted to outside frame edge, eliminating 1/4" reveal. End panels are not flush.**

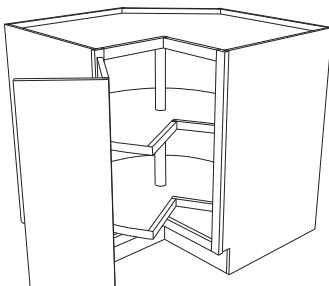
HOW TO ORDER

- Specify **L** or **R** hinging
- Pricing P-135.

NOTES/CAUTION

- Inset concealed hinges not available.

Block 3325 Square Lazy Susan Base



SLSB33

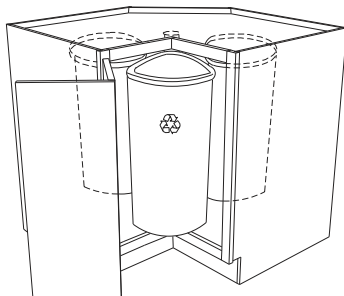
DESIGN CONSIDERATIONS

- 34 1/2" High - 24" Deep**
- Two 24" diameter poly susan turntables
- Allow 33" of wall space for installation
- If you are specifying the Arlington, Glendale, Prescott, Sonoma, Syracuse or Verona door style, please note that this cabinet will be built with a flat panel door.
- If you are specifying the Castleberry, Melbourne or Woolridge door style, please note that SLSB33 will be built with 2 1/4" stiles to maintain the raised center panel.
- **In Inset and 3/4" End Panel Construction, end panels are shifted to outside frame edge, eliminating 1/4" reveal. End panels are not flush.**

HOW TO ORDER

- Specify **L** or **R** hinging
- Pricing P-136.

Block 3330 Recycle Center



RC36

DESIGN CONSIDERATIONS

- 34 1/2" High - 24" Deep**
- 3 poly recycling bins
- 32 quarts bins, 19 1/2" high
- Allow 36" of wall space for installation
- **In Inset and 3/4" End Panel Construction, end panels are shifted to outside frame edge, eliminating 1/4" reveal. End panels are not flush.**

HOW TO ORDER

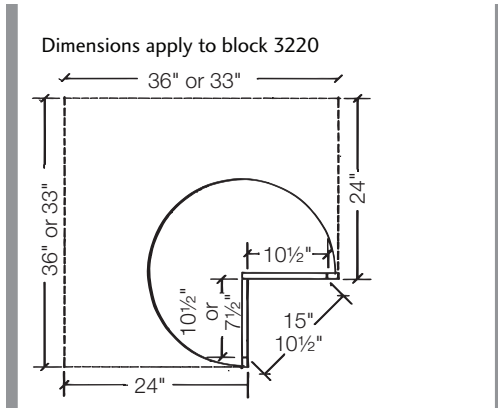
- Specify **L** or **R** hinging
- Pricing P-136.

NOTES/CAUTION

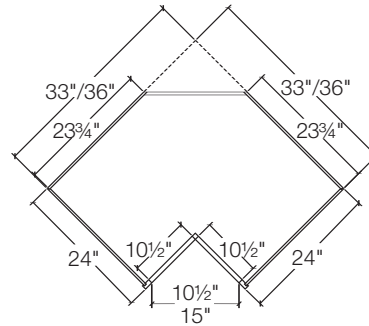
- Inset concealed hinges not available.

LAZY SUSAN BASE/RECYCLE CENTER/SQUARE SUPER SUSAN/SQUARE BASE CORNER

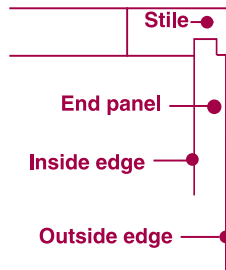
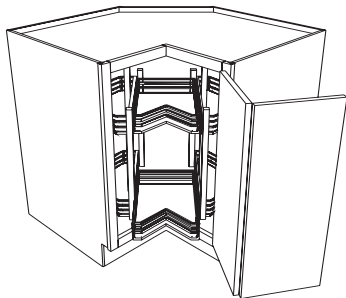
For blocks
3220
3300
3301
3310
3320
3321
3323
3325
3330
3335



Dimensions apply to block 3300, 3310, 3320, 3323, 3325, 3330 and 3335



Block 3335 Square Base Corner with Revolving Slide Shelf



DESIGN CONSIDERATIONS

34 1/2" High - 24" Deep

- Two wood/silver shelves pull out for easy access
- Unit rotates back and forth to access 4 adjustable side mount baskets
- Allow 36" of wall space for installation
- No modifications allowed
- In Inset and 3/4" End Panel Construction, end panels are shifted to outside frame edge, eliminating 1/4" reveal. End panels are not flush.

HOW TO ORDER

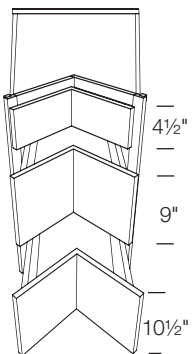
- Specify L or R hinging
- Pricing P-136.

NOTES/CAUTION

- Inset concealed hinges not available.

SBC36RSS

Block 3337 Square Base Corner with Drawers



DESIGN CONSIDERATIONS

34 1/2" High

- Drawers are 27" deep
- Allow 36", 39" or 42" of wall space for installation
- Drawer reveal on all overlay door styles is 3/4"
- No modifications allowed
- Designed for a 24" deep installation
- Do not install next to an appliance or an increased depth cabinet

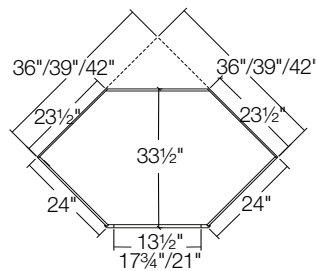
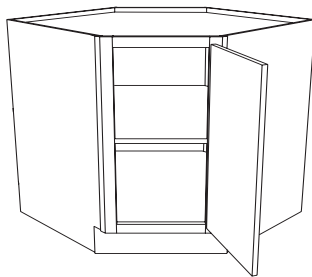
HOW TO ORDER

- Specify L or R hinging
- Pricing P-136.

SBC36DRW3
SBC39DRW3
SBC42DRW3



Block 3340 Diagonal Corner with Full Shelf



DCB36FS
DCB39FS
DCB42FS

DESIGN CONSIDERATIONS

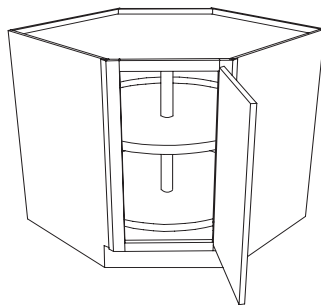
- 34 1/2" High - 24" Deep**
- Full height door
 - 1 fixed full depth shelf
 - Allow 36", 39" or 42" of wall space for installation
 - In Inset and 3/4" End Panel Construction, end panels are shifted to outside frame edge, eliminating 1/4" reveal. End panels are not flush.

HOW TO ORDER

- Specify L or R hinging
- Pricing P-136.



Block 3345 Diagonal Corner Lazy Susan



DCLS36

DESIGN CONSIDERATIONS

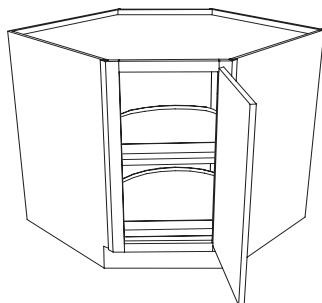
- 34 1/2" High - 24" Deep**
- Full height door
 - Two 28" diameter poly susan turntables
 - Allow 36" of wall space for installation

HOW TO ORDER

- Specify L or R hinging
- Pricing P-137.



Block 3346 Diagonal Corner Lazy Susan with Wood Trays



DCLWS36

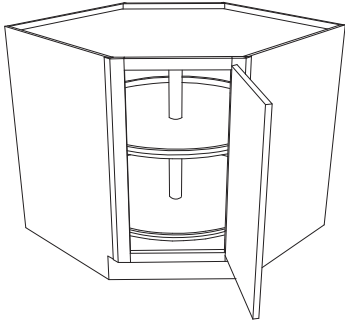
DESIGN CONSIDERATIONS

- 34 1/2" High - 24" Deep**
- Full height door
 - One 31" "D" shaped wood turntable on adjustable shelf and one on floor of cabinet.
 - Allow 36" of wall space for installation

HOW TO ORDER

- Specify L or R hinging
- Pricing P-137.

Block 3347 Diagonal Lazy Susan with Chrome/Wood Turntables



DCLSCW36

DESIGN CONSIDERATIONS

34½" High - 24" Deep

- Full height door
- Two 29" round wood turntables have chrome railings and a non-skid surface
- Allow 36" of wall space for installation

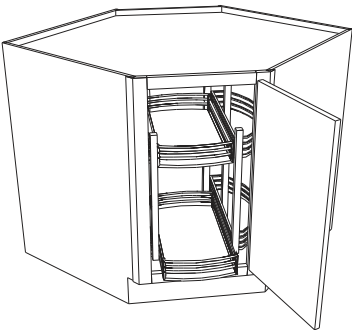
HOW TO ORDER

- Specify **L** or **R** hinging
- Pricing P-137.

NOTES/CAUTION

- Inset concealed hinges not available.

Block 3350 Diagonal Corner Base with Revolving Slide Shelf



DCB36RSS

DESIGN CONSIDERATIONS

34½" High - 24" Deep

- Two wood/silver shelves pull out for easy access
- Unit rotates back and forth to access 4 adjustable side mount baskets
- Allow 36" of wall space for installation
- No modifications allowed

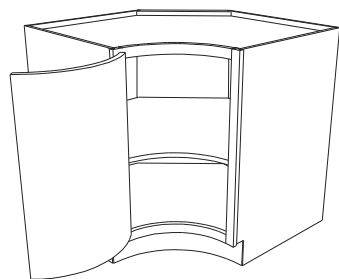
HOW TO ORDER

- Specify **L** or **R** hinging
- Pricing P-137.

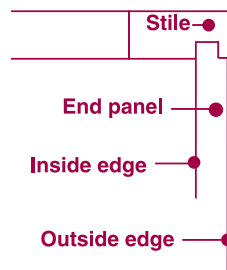
NOTES/CAUTION

- Inset concealed hinges not available.

Block 3360* Curved In Base with Full Shelf



CIB36FS



DESIGN CONSIDERATIONS

34½" High - 12" Radius

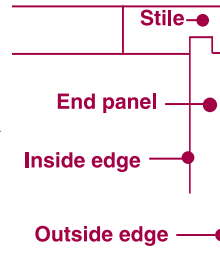
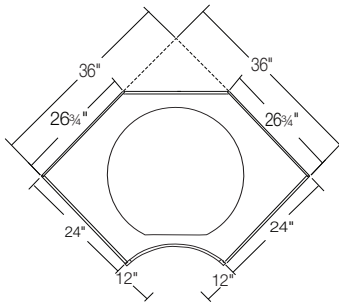
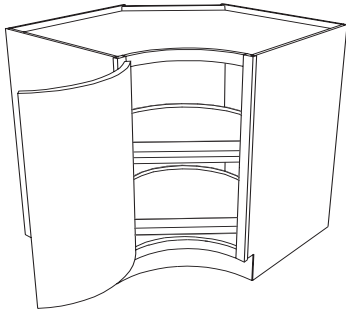
- 1 adjustable full depth shelf
- No modifications allowed
- In ¾" End Panel Construction, end panels are shifted to outside frame edge, eliminating ¼" reveal. End panels are not flush.

HOW TO ORDER

- Specify **L** or **R** hinging
- Must order and field apply ⅛" toe trim. See block 10000.
- Available in Accord, Alite, Georgetown, Harmony, Monroe, Royale, Tempo and Tudor
- Not available in Alder or Rustic Alder
- Pricing P-137.

* On Select Door Styles Only

Block 3370* Curved In Base with Lazy Susan



DESIGN CONSIDERATIONS

12" Radius

- One 31" "D" shaped wood turntable on adjustable shelf and one on floor of cabinet.
- No modifications allowed
- In 3/4" End Panel Construction, end panels are shifted to outside frame edge, eliminating 1/4" reveal. End panels are not flush.

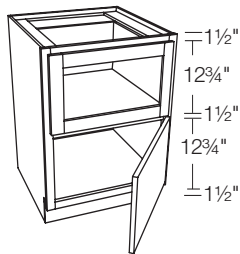
HOW TO ORDER

- Specify L or R hinging
- Must order and field apply 1/8" toe trim. See block 10000.
- Available in Accord, Alite, Georgetown, Harmony, Monroe, Royale, Tempo and Tudor
- Not available in Alder or Rustic Alder
- Pricing P-138.

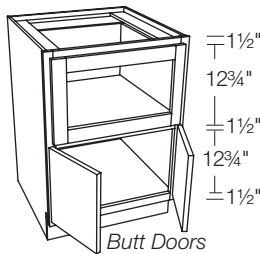
CIBLS36

* On Select Door Styles Only

Block 3379 Vegetable Storage Base



Single Door
B15VG
B18VG
B21VG



Butt Doors
2B24VG
2B27VG
2B30VG

DESIGN CONSIDERATIONS

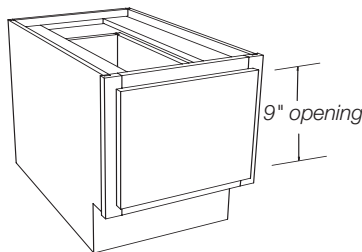
34 1/2" High - 24" Deep

- Drawer front has five-piece construction with mortise and tenon detail. This construction does not match mitered door styles.
- Drawer partition is shipped loose
- Standard melamine interior

HOW TO ORDER

- Specify L or R hinging on Single Door cabinet
- Inserts are sold separately. See blocks 12021 - 12025
- Pricing P-138.

Block 3380 Base One Drawer



B1D12
B1D15
B1D18
B1D21
B1D24
B1D27

B1D30
B1D33
B1D36
B1D39
B1D42

DESIGN CONSIDERATIONS

16 1/2" High - 24" Deep

- Toe kick will align with other base cabinets

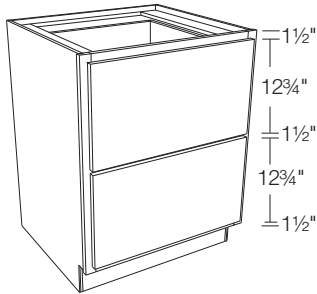
HOW TO ORDER

- Pricing P-138.

SEARCHABLE CATALOG KEYWORD

Deep Drawers

Block 3390 Two Drawer Base



- | | |
|-------|-------|
| 2DB12 | 2DB30 |
| 2DB15 | 2DB33 |
| 2DB18 | 2DB36 |
| 2DB21 | 2DB39 |
| 2DB24 | 2DB42 |
| 2DB27 | |

DESIGN CONSIDERATIONS

- 34 1/2" High - 24" Deep**
- Use this cabinet for storing cookware sets

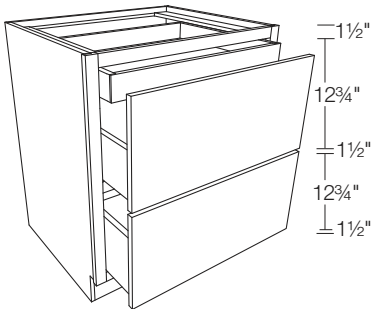
HOW TO ORDER

- Pricing P-139.

SEARCHABLE CATALOG KEYWORD

Deep Drawers

Block 3391 Two Drawer Base with Roll Out Tray



- | | |
|---------|---------|
| 2DB12RT | 2DB27RT |
| 2DB15RT | 2DB30RT |
| 2DB18RT | 2DB33RT |
| 2DB21RT | 2DB36RT |
| 2DB24RT | |

DESIGN CONSIDERATIONS

- 34 1/2" High - 24" Deep**
- Use this cabinet for storing cookware sets
 - Rolltray allows small items to stay visible and accessible
 - Slide rolltray back to view contents of drawer
 - Bottom drawer works well for storing cookware sets

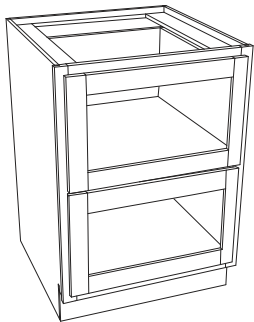
HOW TO ORDER

- Pricing P-139.

SEARCHABLE CATALOG KEYWORD

Deep Drawers

Block 3392 Two Drawer Base with Vegetable Drawer



- 2DB15VG
2DB18VG
2DB21VG
2DB24VG
2DB27VG
2DB30VG

DESIGN CONSIDERATIONS

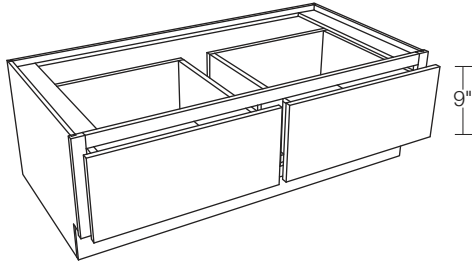
- 34 1/2" High - 24" Deep**
- Drawer front has five-piece construction with mortise and tenon detail. This construction does not match mitered door styles.
 - Drawer partition is shipped loose

HOW TO ORDER

- Inserts are sold separately. See blocks 12021 - 12025
- Pricing P-139.



Block 3393 Double Wide Drawer Base for Window Seat



DESIGN CONSIDERATIONS

16½" High - 24" Deep

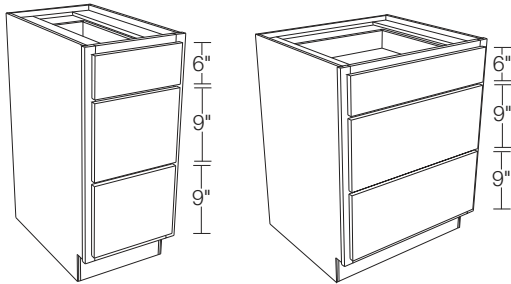
HOW TO ORDER

- Pricing P-140.

2DB48
2DB51
2DB54
2DB57
2DB60

2DB63
2DB66
2DB69
2DB72

Block 3400 Three Drawer Base



DESIGN CONSIDERATIONS

34½" High - 24" Deep

- Top drawer opening is 6" high. The drawer will not align with drawers on adjacent cabinets.

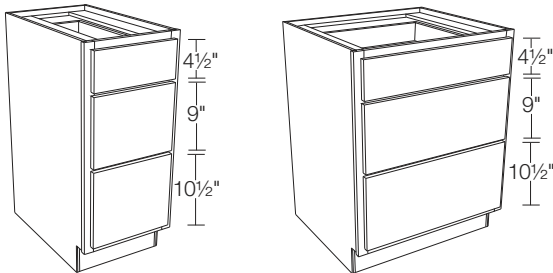
HOW TO ORDER

- Pricing P-140.

3DB12
3DB15
3DB18
3DB21
3DB24

3DB27
3DB30
3DB33
3DB36
3DB39
3DB42

Block 3405 Three Drawer Base Aligned



DESIGN CONSIDERATIONS

34½" High - 24" Deep

- 4½" top drawer opening will align with other 4½" drawers on adjacent cabinets.

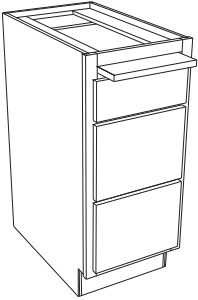
HOW TO ORDER

- Pricing P-140-141.

3DBA12
3DBA15
3DBA18
3DBA21
3DBA24

3DBA27
3DBA30
3DBA33
3DBA36
3DBA39
3DBA42

Block 3410 Three Drawer Base with Bread Board



3DB12BB
3DB15BB
3DB18BB
3DB21BB
3DB24BB

DESIGN CONSIDERATIONS

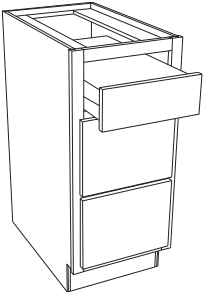
34½" High - 24" Deep

- Alder cabinetry receives a cherry breadboard.
- Top drawer opening is 6" high.
- The top drawer will not align with drawers on adjacent cabinets.
- Breadboard does not align with header width on Traditional or Full International overlay cabinets

HOW TO ORDER

- Pricing P-141.

Block 3420 Three Drawer Base with Chopping Block



3DB15CB
3DB18CB
3DB21CB
3DB24CB

DESIGN CONSIDERATIONS

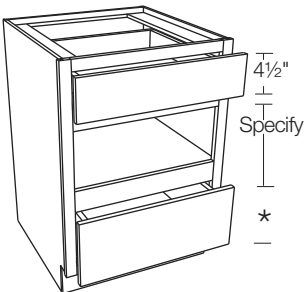
34½" High - 24" Deep

- Top drawer pulls open to access wood chopping block
- Chopping block is removable and is shipped separately
- Top drawer opening is 6" high.
- The top drawer will not align with drawers on adjacent cabinets.

HOW TO ORDER

- Pricing P-141.

Block 3421 Three Drawer Base with Warming Drawer



3DBWAR24
3DBWAR27
3DBWAR30
3DBWAR33

3DBWAR36
3DBWAR39
3DBWAR42

DESIGN CONSIDERATIONS

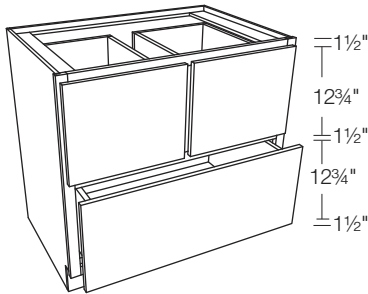
34½" High - 24" Deep

HOW TO ORDER

- To order this item, you must fill out and send an Appliance Template with the order.
- Pricing P-141.



Block 3422 Three Deep Drawer Base



3DDB24
3DDB27
3DDB30
3DDB33

3DDB36
3DDB39
3DDB42

DESIGN CONSIDERATIONS

- 34 1/2" High - 24" Deep**
- Top drawer opening is 12 3/4" high.

HOW TO ORDER

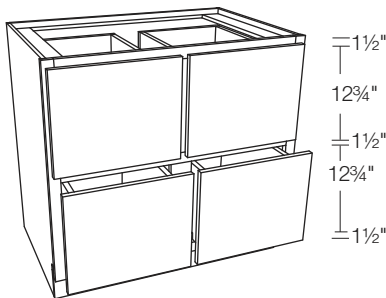
- Pricing P-142.

SEARCHABLE CATALOG KEYWORD

Deep Drawers



Block 3423 Four Deep Drawer Base



4DDB24
4DDB27
4DDB30
4DDB33

4DDB36
4DDB39
4DDB42

DESIGN CONSIDERATIONS

- 34 1/2" High - 24" Deep**
- Top drawer opening is 12 3/4" high.

HOW TO ORDER

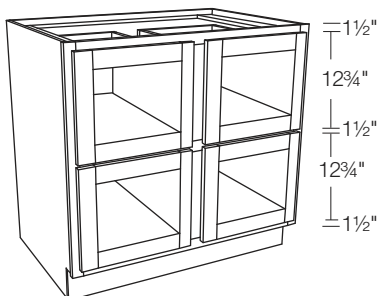
- Pricing P-142.

SEARCHABLE CATALOG KEYWORD

Deep Drawers



Block 3424 Four Drawer Base with Vegetable Front



4DDB24VG
4DDB27VG
4DDB30VG
4DDB33VG

4DDB36VG
4DDB39VG
4DDB42VG

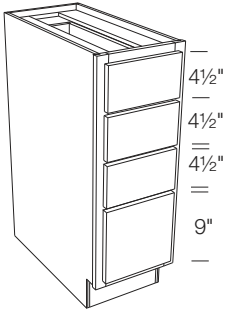
DESIGN CONSIDERATIONS

- 34 1/2" High - 24" Deep**
- Top drawer opening is 12 3/4" high.
 - Drawer front has five-piece construction with mortise and tenon detail. This construction does not match mitered door styles.
 - Drawer partition is shipped loose

HOW TO ORDER

- Inserts are sold separately. See blocks 12021 - 12025
- Pricing P-142.

Block 3430 Drawer Base



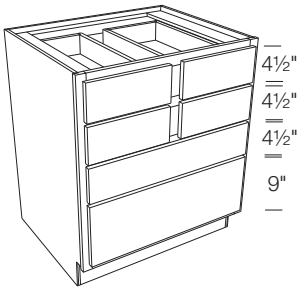
DESIGN CONSIDERATIONS
34½" High - 24" Deep

HOW TO ORDER
• Pricing P-142.

DB12
DB15
DB18
DB21

DB24
DB27

Block 3435 Drawer Base



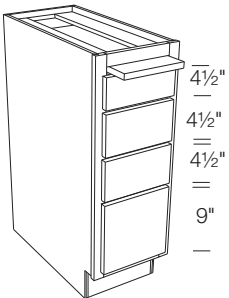
DESIGN CONSIDERATIONS
34½" High - 24" Deep

HOW TO ORDER
• Pricing P-143.

DB30
DB33
DB36

DB39
DB42

Block 3440 Drawer Base with Bread Board



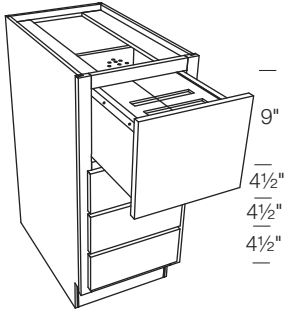
DESIGN CONSIDERATIONS
34½" High - 24" Deep

- Alder cabinetry receives a cherry breadboard.
- The top drawer on this cabinet will not align with drawers on adjacent cabinets.
- The top drawer front will always be a slab header.
- Breadboard does not align with header width on Traditional or Full International overlay cabinets

HOW TO ORDER
• Pricing P-143.

DB12BB
DB15BB
DB18BB
DB21BB
DB24BB

Block 3442 Drawer Base with Bread Liner in Top



DBIF15BL
DBIF18BL
DBIF21BL
DBIF24BL

DESIGN CONSIDERATIONS

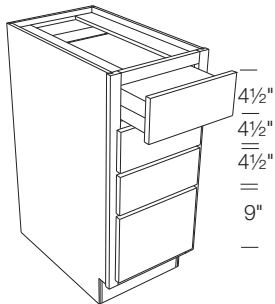
34 1/2" High - 24" Deep

- Top drawer opening is 9" high
- The top drawer on this cabinet will not align with drawers on adjacent cabinets.
- Translucent polymer bread liner in top drawer.

HOW TO ORDER

- Pricing P-143.

Block 3450 Drawer Base with Chopping Block



DB15CB
DB18CB
DB21CB
DB24CB

DESIGN CONSIDERATIONS

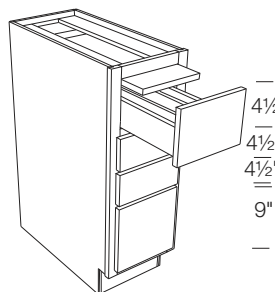
34 1/2" High - 24" Deep

- Top drawer pulls open to access wood chopping block
- Drawer sides are reduced to accommodate chopping block
- Chopping block is removable and is shipped separately

HOW TO ORDER

- Pricing P-143.

Block 3460 Drawer Base with Bread Board and Utensil Storage



DB12USB
DB15USB
DB18USB
DB21USB
DB24USB

DESIGN CONSIDERATIONS

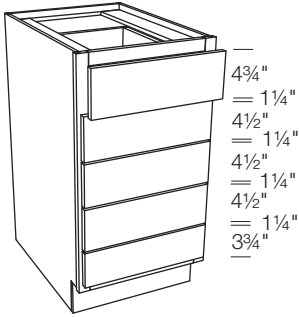
34 1/2" High - 24" Deep

- Top drawer header attached to drawer box for pull out wood utensil storage and wood bread board
- Alder cabinetry receives a cherry breadboard.

HOW TO ORDER

- Pricing P-144.

Block 3462 Five Drawer Base



- | | |
|-------|-------|
| 5DB12 | 5DB30 |
| 5DB15 | 5DB33 |
| 5DB18 | 5DB36 |
| 5DB21 | 5DB39 |
| 5DB24 | 5DB42 |
| 5DB27 | |

DESIGN CONSIDERATIONS

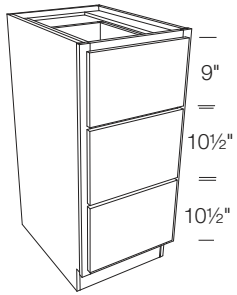
34 1/2" High - 24" Deep

- For shallow storage needs
- Bottom four drawer headers are 5 1/2" high in all overlays with 1/4" reveal in between
- On Traditional door styles, the top drawer on this cabinet will not align with drawers on adjacent cabinets.

HOW TO ORDER

- Pricing P-144.

Block 3464 Base Tall Three Drawer



- | | | |
|--------|--------|--------|
| BT3D12 | BT3D21 | BT3D30 |
| BT3D15 | BT3D24 | BT3D33 |
| BT3D18 | BT3D27 | BT3D36 |

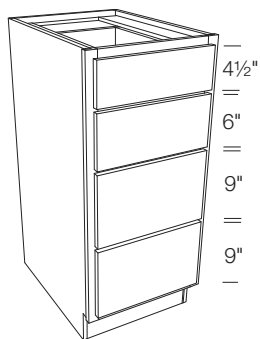
DESIGN CONSIDERATIONS

40 1/2" High - 24" Deep

HOW TO ORDER

- Pricing P-144.

Block 3465 Base Tall Four Drawer



- | | | |
|--------|--------|--------|
| BT4D12 | BT4D21 | BT4D30 |
| BT4D15 | BT4D24 | BT4D33 |
| BT4D18 | BT4D27 | BT4D36 |

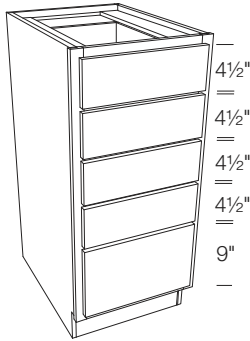
DESIGN CONSIDERATIONS

40 1/2" High - 24" Deep

HOW TO ORDER

- Pricing P-145.

Block 3466 Base Tall Five Drawer



DESIGN CONSIDERATIONS

40 1/2" High - 24" Deep

HOW TO ORDER

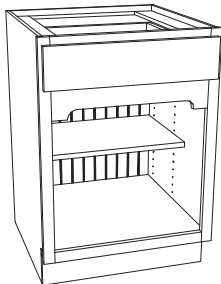
- Pricing P-145.

BT5D12
BT5D15
BT5D18

BT5D21
BT5D24
BT5D27

BT5D30
BT5D33
BT5D36

Block 3469 Beaded Back Base without Door



DESIGN CONSIDERATIONS

34 1/2" High - 24" Deep

- 1 adjustable 2/3 depth shelf
- Stained veneer interior.
- Ogee edge on frame
- Arch valance is standard

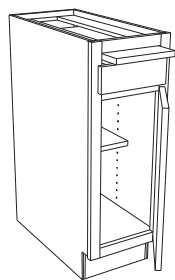
HOW TO ORDER

- Other valances are available. See block 12313 for Valance Top Rail options.
- Ogee edge on frame may be modified when certain valances are specified. See HelpZone for information.
- Pricing P-145.

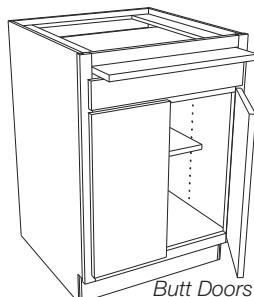
BB09B
BB12B
BB15B
BB18B
BB21B
BB24B

Full Width Drawer
2BB27B
2BB30B
2BB33B
2BB36B

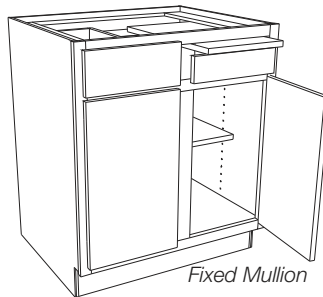
Block 3800 Base with Bread Board



Single Door
B12BB
B15BB
B18BB
B21BB
B24BB



Butt Doors
2B24BB



Fixed Mullion
B30BB
B36BB

DESIGN CONSIDERATIONS

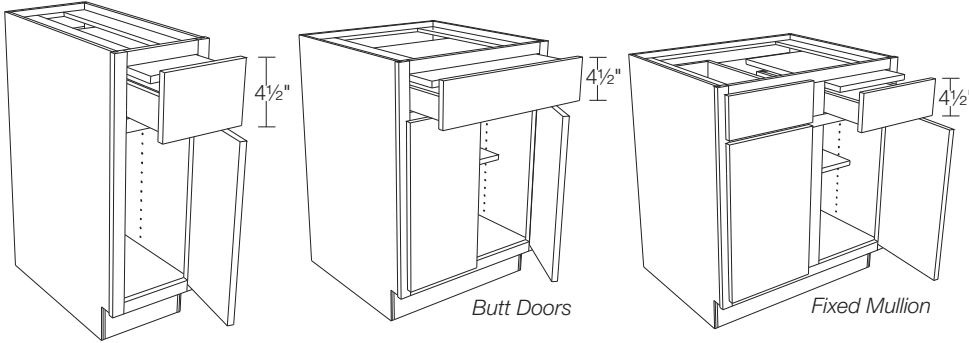
34 1/2" High - 24" Deep

- 1 adjustable 2/3 depth shelf
- Alder cabinetry receives a cherry breadboard.
- The drawer on this cabinet will not align with drawers on adjacent cabinets.
- The drawer front will be a slab header on the breadboard side.
- Breadboard does not align with header width on Traditional or Full International overlay cabinets

HOW TO ORDER

- Specify L or R hinging on Single Door cabinet
- Must specify breadboard left (**BBL**) or breadboard right (**BBR**) on fixed mullion cabinets.
- Pricing P-146.

Block 3810 Base with Bread Board and Utensil Storage



Single Door
B12USB
B15USB
B18USB
B21USB
B24USB

Butt Doors
2B24USB

Fixed Mullion
B30USB
B36USB

DESIGN CONSIDERATIONS

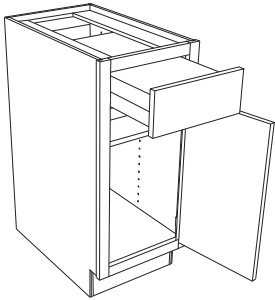
34 1/2" High - 24" Deep

- 1 adjustable 3/8 depth shelf
- Drawer header attached to drawer box for pull out wood utensil storage and wood bread board
- Alder cabinetry receives a cherry breadboard.
- Breadboard does not align with header width on Traditional or Full International overlay cabinets

HOW TO ORDER

- Specify **L** or **R** hinging on Single Door cabinet
- Must specify bread board left (**BBL**) or bread board right (**BBR**) on fixed mullion cabinets.
- Pricing P-146.

Block 3820 Base with Chopping Block



B15CB
B18CB
B21CB
B24CB

DESIGN CONSIDERATIONS

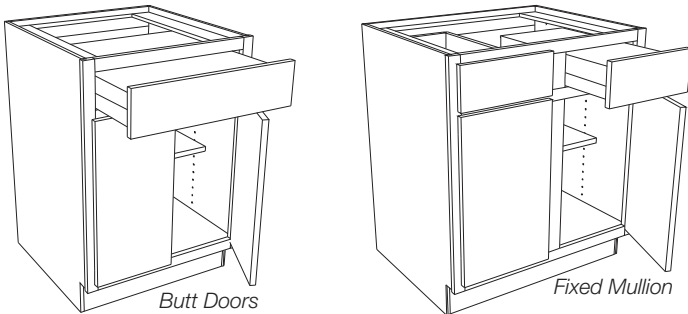
34 1/2" High - 24" Deep

- 1 adjustable 3/8 depth shelf
- Chopping block is removable and is shipped separately
- Top drawer pulls open to access wood chopping block
- Drawer sides are reduced to accommodate chopping block

HOW TO ORDER

- Specify **L** or **R** hinging
- Pricing P-147.

Block 3830 Base with Chopping Block



Butt Doors
2B24CB

Fixed Mullion
B30CB
B36CB

DESIGN CONSIDERATIONS

34 1/2" High - 24" Deep

- 1 adjustable 3/8 depth shelf
- Top drawer pulls open to access wood chopping block
- Chopping block is removable and is shipped separately
- Drawer sides are reduced to accommodate chopping block

HOW TO ORDER

- Chopping block is on the right side unless your order specifies left
- Pricing P-147.

FOUR DRAWER COMBINATION



For blocks
3900
3920
3930
3950

DESIGN CONSIDERATIONS

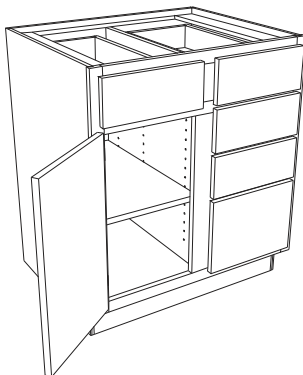
- 34½" High - 24" Deep**
- 1 adjustable full depth shelf
 - Partition behind center mullion

HOW TO ORDER

- Drawer stack is on the right side unless your order specifies left
- Width opening sizes apply to blocks 3900, 3920, 3930, 3950

Width	Opening Sizes	
	Door	Drawer
CBD30	12"	12"
CBD36	15"	15"
CBD42	18"	18"
CBD48	21"	21"

Block 3900 Four Drawer Combination



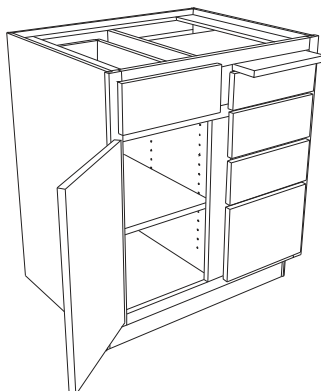
CBD30
CBD36
CBD42
CBD48

DESIGN CONSIDERATIONS

HOW TO ORDER

- Specify **L** or **R** hinging
- Pricing P-147.

Block 3920 Four Drawer Combination with Bread Board



CBD30BB
CBD36BB
CBD42BB
CBD48BB

DESIGN CONSIDERATIONS

- Alder cabinetry receives a cherry breadboard.
- Drawer underneath bread board will always be a slab header.
- Drawer underneath breadboard will not align with drawer on adjacent cabinets.
- Breadboard does not align with header width on Traditional or Full International overlay cabinets

HOW TO ORDER

- Specify **L** or **R** hinging
- Breadboard will be on the right unless your order specifies left
- Pricing P-147.

FOUR DRAWER COMBINATION



For blocks

- 3900**
- 3920**
- 3930**
- 3950**

DESIGN CONSIDERATIONS

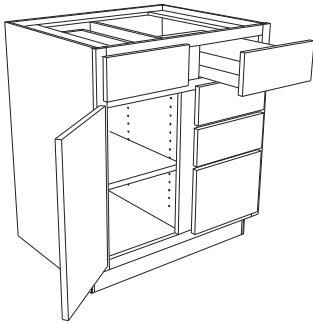
- 34½" High - 24" Deep**
- 1 adjustable full depth shelf
- Partition behind center mullion

HOW TO ORDER

- Drawer stack is on the right side unless your order specifies left
- Width opening sizes apply to blocks 3900, 3920, 3930, 3950

Width	Opening Sizes	
	Door	Drawer
CBD30	12"	12"
CBD36	15"	15"
CBD42	18"	18"
CBD48	21"	21"

Block 3930 Four Drawer Combination with Chopping Block



- CBD30CB**
- CBD36CB**
- CBD42CB**
- CBD48CB**

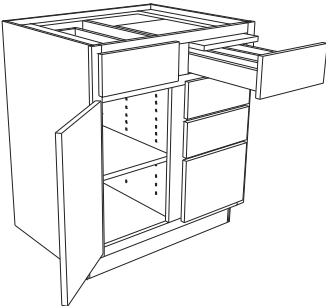
DESIGN CONSIDERATIONS

- Chopping block is removable and is shipped separately
- Top drawer pulls open to access wood chopping block
- Drawer sides are reduced to accommodate chopping block

HOW TO ORDER

- Specify **L** or **R** hinging
- Chopping block will be on right unless your order specifies left
- Pricing P-148.

Block 3950 Four Drawer Combination with Bread Board and Utensil Storage



- CBD30USB**
- CBD36USB**
- CBD42USB**

DESIGN CONSIDERATIONS

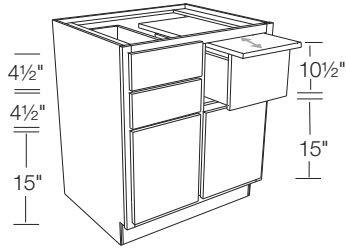
- Alder cabinetry receives a cherry breadboard.
- Drawer header attached to drawer box for pull out wood utensil storage and wood bread board.

HOW TO ORDER

- Specify **L** or **R** hinging
- Breadboard will be on the right unless your order specifies left
- Pricing P-148.



Block 3970 Base Pantry



BPT30
BPT36
BPT42

DESIGN CONSIDERATIONS

34 1/2" High - 24" Deep

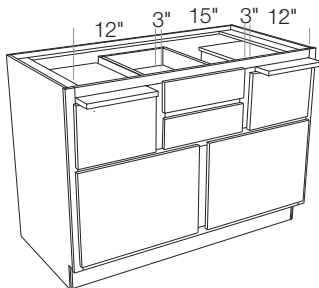
- Includes a cutlery divider (which will fit into either shallow drawer), and a polymer bread liner in the deep drawer.
- Alder cabinetry receives a cherry breadboard.
- Breadboard does not align with header width on Traditional or Full International overlay cabinets

HOW TO ORDER

- Bread board is on the right unless your order specifies left
- Pricing P-148.



Block 3975 Base Pantry



BPT48

DESIGN CONSIDERATIONS

34 1/2" High - 24" Deep

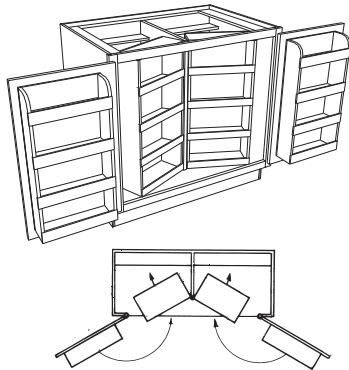
- Includes a cutlery divider (which will fit into either shallow drawer), and two translucent polymer bread liners in the deep drawers.
- Alder cabinetry receives a cherry breadboard.
- Breadboard does not align with header width on Traditional or Full International overlay cabinets

HOW TO ORDER

- Pricing P-148.



Block 3980 Base Canned Good Storage



2BCS36

DESIGN CONSIDERATIONS

34 1/2" High - 24" Deep

- All wood storage racks
- Two door racks
- 4 fixed shelves (3/8" thick, 5" deep) in the back of cabinet
- Two swinging shelf racks in center of cabinet
- Proper operation of pantry requires 106 degree door swing
- Dimensional modifications not available

HOW TO ORDER

- Pricing P-148.

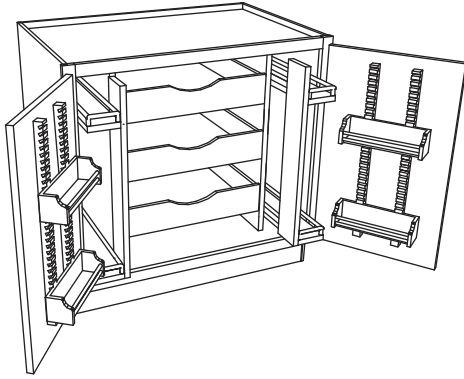
INSTALLATION TIP

If placed next to wall use FB3 or extended stile of 3" for proper function. May need to allow more than 3" if using decorative hardware

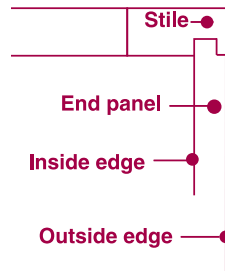
NOTES/CAUTION

- Inset concealed hinges not available.

Block 3985 Base with Pullouts and Roll Trays



Butt Doors
2BSP36



DESIGN CONSIDERATIONS

34½" High - 24" Deep

- Three adjustable rollout trays
- Two units with 2 adjustable wood baskets (4 total) with chrome railings and a non-skid surface
- **In Inset and ¼" End Panel Construction, end panels are shifted to outside frame edge, eliminating ¼" reveal. End panels are not flush.**
- Two spice racks per door (4 total)
- Spice racks are 3" deep. Inside capacity is 2¼"
- Spice racks are adjustable up and down
- Partition and roll tray area are 21" deep
- Dimensional modifications not available
- You may not have full access if cabinet is installed next to a range or dishwasher
- 165° hinges are standard with this cabinet

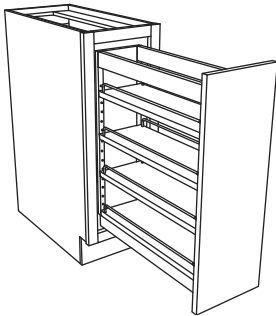
HOW TO ORDER

- Pricing P-149.

NOTES/CAUTION

- Inset concealed hinges not available.

Block 3990 Base with Mini Pantry



BFP09
BFP12
BFP15
BFP18

DESIGN CONSIDERATIONS

34½" High - 24" Deep

- Pull out pantry attached to door
- Wood and chrome pantry with one fixed shelf and three adjustable shelves
- Dimensional modifications not available

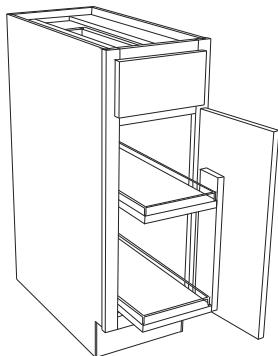
HOW TO ORDER

- See block 9628 for optional spice rack for top of pantry
- Pricing P-149.

NOTES/CAUTION

- 9" wide cabinets not available in inset.

Block 3995 Base Pantry with Chrome/Wood Shelves and Baskets



BPTY09
BPTY12
BPTY15
BPTY18
BPTY21

DESIGN CONSIDERATIONS

34½" High, 24" Deep

- 2 adjustable wood baskets with chrome railings and a non-skid surface
- Basket track is on the same side as door hinge
- No modifications available

HOW TO ORDER

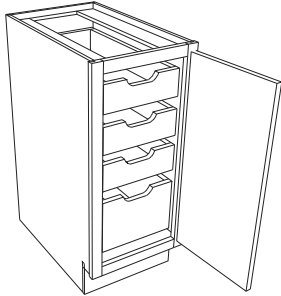
- Specify L or R hinging
- Pricing P-149.

Width of cabinet	Width of baskets
9"	4"
12"	6"
15"	9"
18"	12"
21"	15"

NOTES/CAUTION

- 9" wide cabinets not available in inset.
- Inset concealed hinges not available.

Block 4000 Base Full Height Door with Tall Roll Out Trays



BF15RTT
BF18RTT
BF21RTT
BF24RTT

DESIGN CONSIDERATIONS

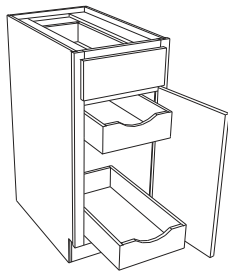
34 1/2" High - 24" Deep

- 4 roll out trays
- 3 trays are 3 7/8" high
- 1 tray is 7 7/8" high

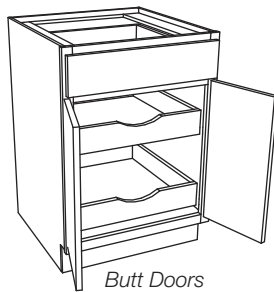
HOW TO ORDER

- Specify L or R hinging
- Pricing P-149.

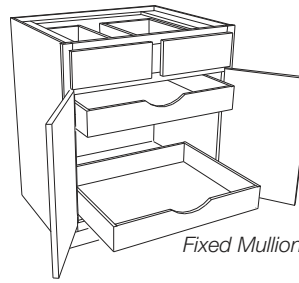
Block 4010 Base with Roll Out Trays



Single Door
B15RT
B18RT
B21RT
B24RT



Butt Doors
2B24RT
2B27RT
2B30RT
2B33RT
2B36RT



Fixed Mullion
B30RT
B33RT
B36RT

DESIGN CONSIDERATIONS

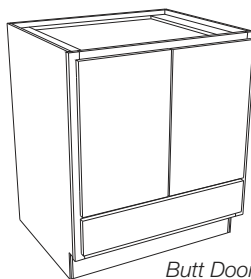
34 1/2" High - 24" Deep

- 2 adjustable roll out trays
- Mullion attached to left door on Traditional styles.
- Full International style doors will be butt doors.

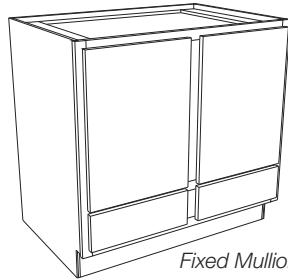
HOW TO ORDER

- Specify L or R hinging on Single Door cabinet
- Pricing P-150.

Block 4030 Range Base Reverse



Butt Doors
2RBR30
2RBR33
2RBR36



Fixed Mullion
RBR36
RBR39
RBR42
RBR45
RBR48

DESIGN CONSIDERATIONS

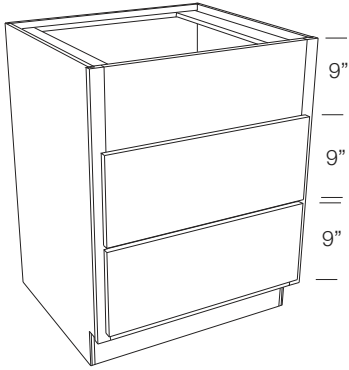
34 1/2" High - 24" Deep

- No shelf

HOW TO ORDER

- Pricing P-150.

Block 4035 Two Drawer Base with Wide Top Rail



2DBWT27
2DBWT30
2DBWT33
2DBWT36
2DBWT39
2DBWT42

DESIGN CONSIDERATIONS

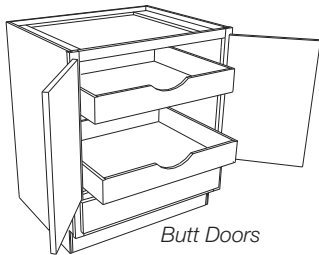
34½" High - 24" Deep

- Use this base cabinet to accommodate special cook-tops

HOW TO ORDER

- Trim the wide top rail on the jobsite
- Pricing P-150.

Block 4040 Range Base Reverse with Roll Out Trays



Butt Doors
2RBR30RT
2RBR33RT
2RBR36RT

DESIGN CONSIDERATIONS

34½" High - 24" Deep

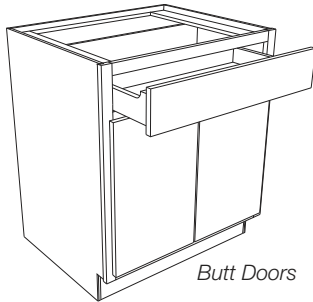
- 2 adjustable wood roll out trays

HOW TO ORDER

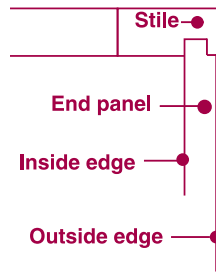
- Pricing P-151.



Block 4050 Down Draft Range Base



Butt Doors



DESIGN CONSIDERATIONS

34½" High - 24" Deep

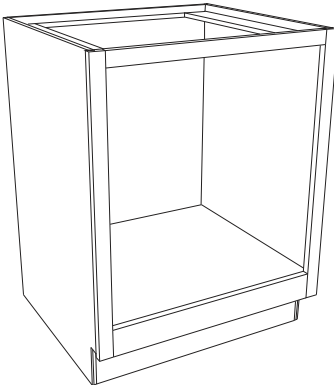
- Scooped drawer reduced in depth to allow for false back to accommodate cooktop venting
- False back at 15" deep
- In Inset and ¾" End Panel Construction, end panels are shifted to outside frame edge, eliminating ¼" reveal. End panels are not flush.

HOW TO ORDER

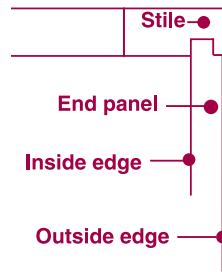
- Pricing P-151.

Butt Doors
2DDRB30
2DDRB36

Block 4051 Base Oven Cabinet



BOC27
BOC30
BOC31
BOC33
BOC36



DESIGN CONSIDERATIONS

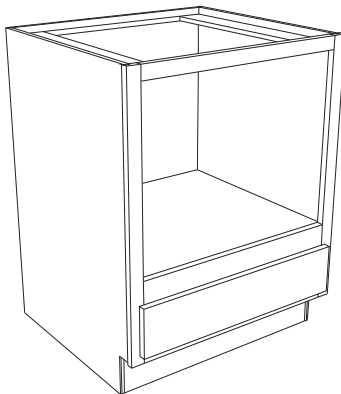
34½" High - 24" Deep

- Standard melamine interior
- ¾" floor in oven opening
- ★ Specify, using an Appliance Template, the dimensions of the cutout. Keep in mind:
 - The maximum width of the cutout is 2" less than the overall cabinet width
 - The top rail must be a minimum of 1"
 - The bottom rail must be a minimum of 2"
- In Inset and ¾" End Panel Construction, end panels are shifted to outside frame edge, eliminating ¼" reveal. End panels are not flush.

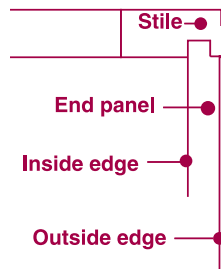
HOW TO ORDER

- ★ To order this item, you **must** fill out and send an Appliance Template with the order.
- Pricing P-151.

Block 4052 Base Oven Cabinet with Drawer



2BOCD27
2BOCD30
2BOCD31
2BOCD33
2BOCD36



DESIGN CONSIDERATIONS

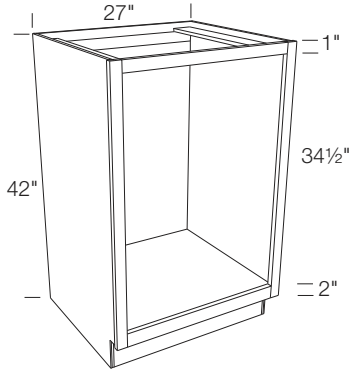
34½" High - 24" Deep

- Drawer width will be equal to cutout opening
- ¾" floor in opening
- Standard melamine interior
- 3" rail between drawer and cutout
- ★ Specify, using an Appliance Template, the dimensions of the cutout. Keep in mind:
 - The maximum width of the cutout is 2" less than the overall cabinet width
 - The top rail must be a minimum of 1"
 - The center rail must be a minimum of 2"
- In Inset and ¾" End Panel Construction, end panels are shifted to outside frame edge, eliminating ¼" reveal. End panels are not flush.

HOW TO ORDER

- ★ To order this item, you **must** fill out and send an Appliance Template with the order.
- Pricing P-151.

Block 4053 Base Dishwasher



BODW2742

DESIGN CONSIDERATIONS

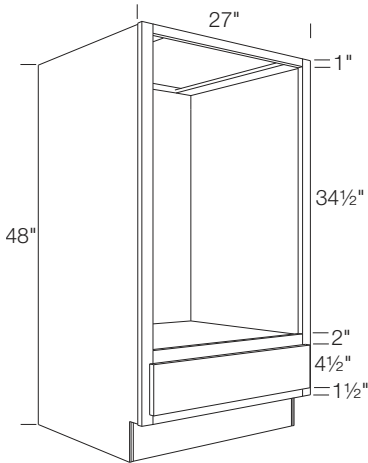
42" High - 24" Deep

- 3/4" thick floor in dishwasher opening
- Standard melamine interior

HOW TO ORDER

- Order a false drawer front (block 9364) to cover the toe kick area of the dishwasher
- Pricing P-152.

Block 4054 Base Dishwasher with Drawer



BODWD2748

DESIGN CONSIDERATIONS

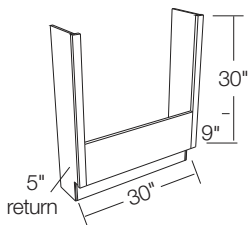
48" High - 24" Deep

- 3/4" thick floor in dishwasher opening
- Standard melamine interior

HOW TO ORDER

- Order a false drawer front (block 9364) to cover the toe kick area of the dishwasher
- Pricing P-152.

Block 4055 Range Panel with Side Stiles



RP30

DESIGN CONSIDERATIONS

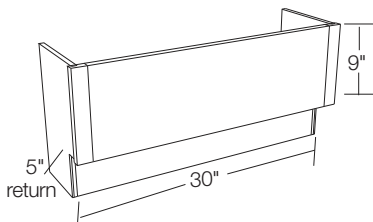
34 1/2" High

- 1 1/2" stiles
- Maximum opening height is 28 1/2"

HOW TO ORDER

- Specify opening height
- To order this item, you must fill out and send an Appliance Template with the order.
- Pricing P-152.

Block 4056 Range Panel



R30P

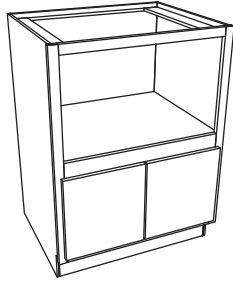
DESIGN CONSIDERATIONS

- Standard 13 1/2" tall overall including 4 1/2" toe space

HOW TO ORDER

- Specify height including 4 1/2" toe space
- Pricing P-152.

Block 4058 Base Microwave Tall



Butt Doors
2BMWT27
2BMWT30
2BMWT33
2BMWT36

DESIGN CONSIDERATIONS

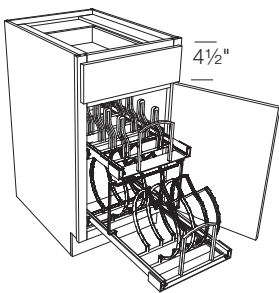
40½" High - 24" Deep

- No shelf
- Standard melamine interior

HOW TO ORDER

- To order this item, you must fill out and send an Appliance Template with the order.
- Pricing P-152.

Block 4060 Range Mate



RM15

DESIGN CONSIDERATIONS

34½" High - 24" Deep

- Two-tier chrome plated wire rack
- Top rack holds up to seven lids
- Bottom rack is adjustable to hold pots and pans in many sizes
- Full extension glides
- Dimensional modifications not available

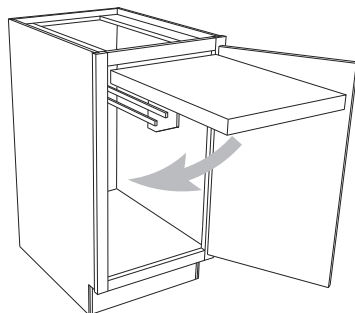
HOW TO ORDER

- Specify L or R hinging
- Pricing P-153.

NOTES/CAUTION

- Inset concealed hinges not available.

Block 4065 Base Mixer Shelf



BMXS18

DESIGN CONSIDERATIONS

34½" High - 24" Deep

- This cabinet accommodates most standup mixers, including the KitchenAid professional series mixer.
- The mixer will be easy to access and can stay off the counter, reducing clutter.
- The mixer shelf is a 1½" thick chopping block that holds up to 50 lbs. Some mixers can be secured right to the shelf.
- The depth of the mixer will determine the height of the space for the mixer.
- Dimensional modifications not available

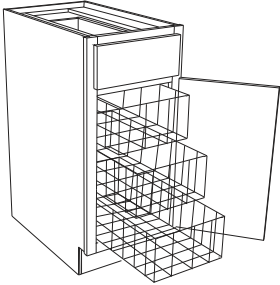
HOW TO ORDER

- Specify L or R hinging
- Pricing P-153.

NOTES/CAUTION

- Inset concealed hinges not available.

Block 4090 Base with Wire Basket Storage



B15WB
B18WB
B21WB
B24WB

DESIGN CONSIDERATIONS

34½" High - 24" Deep

- 3 wire epoxy coated baskets
- Dimensional modifications not available

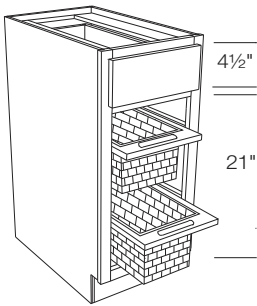
HOW TO ORDER

- Specify L or R hinging
- Pricing P-153.

NOTES/CAUTION

- Inset concealed hinges not available.

Block 4095 Base with Wicker Basket Storage



B15WK
B18WK

DESIGN CONSIDERATIONS

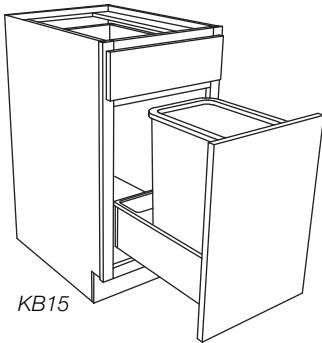
34½" High - 24" Deep

- 2 wicker baskets in Natural finish wood carrier
- Basket Sizes:
B15WK – 11 5/16" x 21 1/4" x 7 7/8"
B18WK – 14 5/16" x 21 1/4" x 7 7/8"
- Dimensional modifications not available
- Stained veneer interior

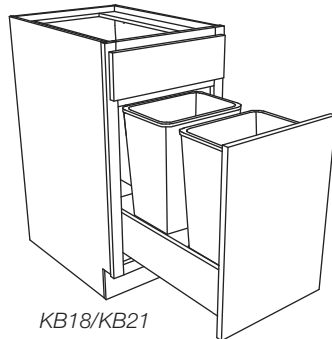
HOW TO ORDER

- Pricing P-153.

Block 4100 Kitchen Waste Basket



KB15



KB18/KB21

KB15
KB18
KB21

DESIGN CONSIDERATIONS

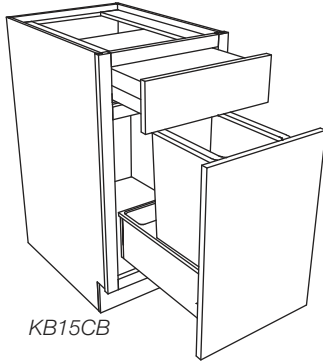
34½" High - 24" Deep

- Dovetailed wood bottom-mount basket attached to door
- KB15 has one 35 qt. metallic silver plastic basket and a small bin for trash bag storage
- KB18 and KB21 have two 35 qt. metallic silver plastic baskets
- Soft open and soft close mechanism
- Dimensional modifications not available

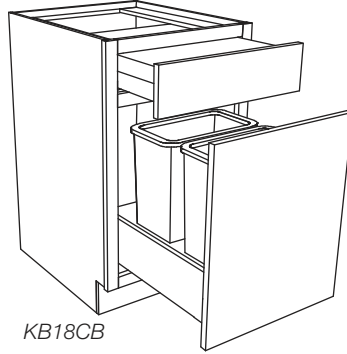
HOW TO ORDER

- Pricing P-153.

Block 4110 Kitchen Waste Basket with Chopping Block



KB15CB



KB18CB

KB15CB
KB18CB

DESIGN CONSIDERATIONS

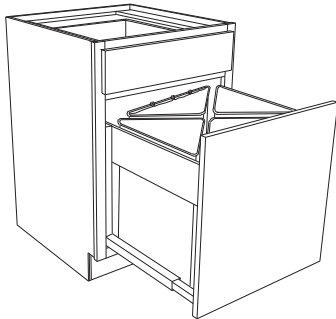
34½" High - 24" Deep

- Dovetailed wood bottom-mount baskets attached to door
- Chopping block is removable and is shipped separately
- Top drawer pulls open to access wood chopping block
- Drawer sides are reduced to accommodate chopping block
- KB15CB has one 35 qt. metallic silver plastic basket and a small bin for trash bag storage
- KB18CB has two 35 qt. metallic silver plastic baskets
- Soft open and soft close mechanism
- Dimensional modifications not available

HOW TO ORDER

- Pricing P-154.

Block 4130 Recycle Base



RCB24

DESIGN CONSIDERATIONS

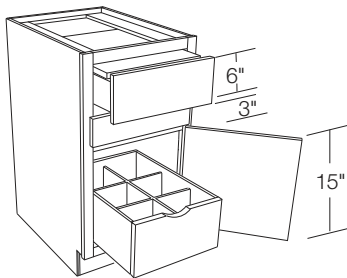
34½" High - 24" Deep

- Pull out recycle center attached to door
- Separate removable bins -
3 poly bins, 1 canvas bin
- Poly bin = 25 qt.
- Canvas bin = 18 qt.
- Dimensional modifications not available

HOW TO ORDER

- Pricing P-154.

Block 4140 Bar Maid



BM18

DESIGN CONSIDERATIONS

34½" High - 24" Deep

- Wood bread board and wood cutlery divider
- Wood bar box holds 6 one liter bottles
- Alder cabinetry receives a cherry bread board.
- Second drawer will have slab header on all door styles.
- Top drawer will not align with adjacent cabinets

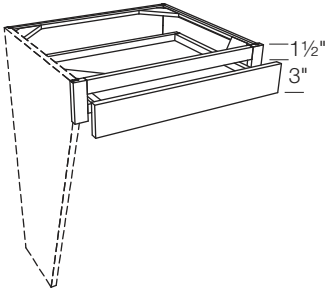
HOW TO ORDER

- Specify **L** or **R** hinging
- Pricing P-154.

NOTES/CAUTION

- Inset concealed hinges not available.

Block 4200 Desk Drawer



DKV2418
DKV2718
DKV3018
DKV3318
DKV3618

DKV2421
DKV2721
DKV3021
DKV3321
DKV3621

DKV2424
DKV2724
DKV3024
DKV3324
DKV3624

DESIGN CONSIDERATIONS

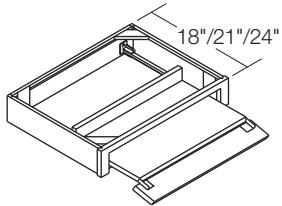
4 1/2" High - 18", 21", 24" Deep

- Single drawer with glides
- Drawer cannot be trimmed
- Slab header with all door styles

HOW TO ORDER

- Order a tapered end panel if this drawer will be on the end of a run. See block 9376.
- Pricing P-155.

Block 4205 Pull Out Keyboard



POK2418
POK3018
POK3618

POK2421
POK3021
POK3621

POK2424
POK3024
POK3624

DESIGN CONSIDERATIONS

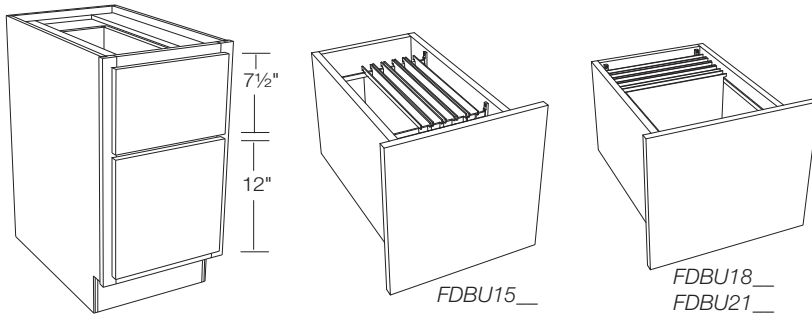
4 1/2" High - 18", 21", 24" Deep

- Tilt down header
- Reduce height modification not available
- Slab header with all door styles
- Maple keyboard shelf has Natural finish

HOW TO ORDER

- Order a tapered end panel if this drawer will be on the end of a run. See block 9376.
- Pricing P-155.

Block 4210 Desk File Drawer Base



FDBU1518
FDBU1818
FDBU2118

FDBU1521
FDBU1821
FDBU2121

FDBU1524
FDBU1824
FDBU2124

DESIGN CONSIDERATIONS

28 1/2" High - 18", 21", 24" Deep

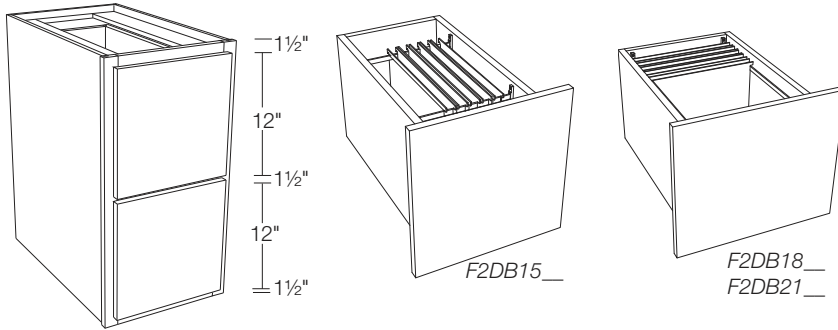
- 18" for standard Pendaflex folders
- 21" for legal file folders
- FDBU1518 will not accommodate standard Pendaflex folders.
- File folders shown in illustration are not included in drawers

HOW TO ORDER

- Pricing P-156.



Block 4220 File Two Drawer Base



F2DB1518
F2DB1818
F2DB2118

F2DB1521
F2DB1821
F2DB2121

F2DB1524
F2DB1824
F2DB2124

DESIGN CONSIDERATIONS

28 1/2" High - 18", 21", 24" Deep

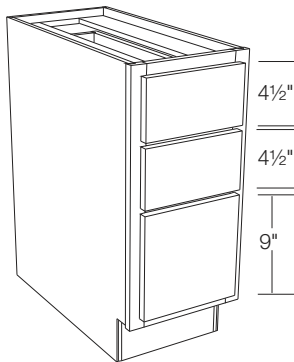
- 18" for standard Pendaflex folders
- 21" for legal file folders
- F2DB1518 will not accommodate standard Pendaflex folders.
- 1 1/2" bottom rail creates a 1" reveal when drawer is closed
- The toe kick on this cabinet was eliminated to accommodate two file drawers while maintaining desk height.
- File folders shown in illustration are not included in drawers

HOW TO ORDER

- Pricing P-156.



Block 4230 Desk Drawer Base



D3D1218
D3D1518
D3D1818
D3D2118
D3D2418

D3D1221
D3D1521
D3D1821
D3D2121
D3D2421

D3D1224
D3D1524
D3D1824
D3D2124
D3D2424

DESIGN CONSIDERATIONS

28 1/2" High - 18", 21", 24" Deep

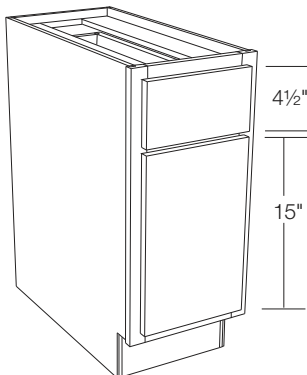
- Will not accommodate files

HOW TO ORDER

- Pricing P-157.



Block 4240 Desk Base



DDB1218
DDB1518
DDB1818
DDB2118
DDB2418

DDB1221
DDB1521
DDB1821
DDB2121
DDB2421

DDB1224
DDB1524
DDB1824
DDB2124
DDB2424

DESIGN CONSIDERATIONS

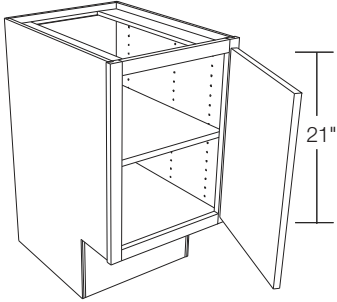
28 1/2" High - 18", 21", 24" Deep

- No shelf

HOW TO ORDER

- Specify L or R hinging
- Pricing P-157.

Block 4300 Accessible Single Door Base



HCB18
HCB24

DESIGN CONSIDERATIONS

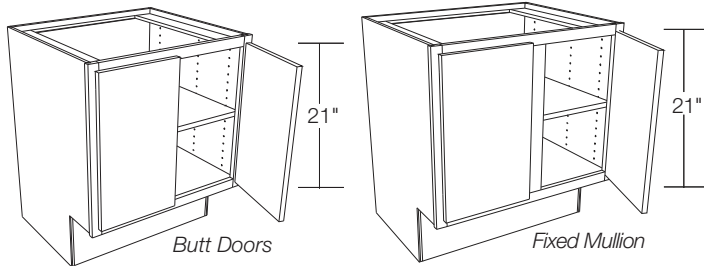
32³/₄" High - 24" Deep

- Full depth shelf
- 8³/₄" toe space height
- 6³/₄" toe space depth
- See block 10000 for toe board trim

HOW TO ORDER

- Specify L or R hinging
- Pricing P-158.

Block 4310 Accessible Double Door Base



Butt Doors
2HCB27

Fixed Mullion
HCB30
HCB33
HCB36
HCB39
HCB42
HCB48

DESIGN CONSIDERATIONS

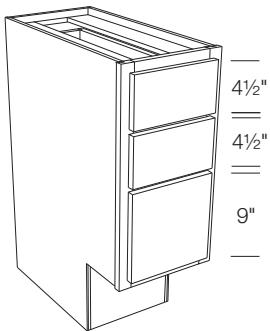
32³/₄" High - 24" Deep

- Full depth shelf
- 8³/₄" toe space height
- 6³/₄" toe space depth
- See block 10000 for toe board trim

HOW TO ORDER

- Pricing P-158.

Block 4320 Accessible Drawer Base



HCDB12
HCDB15
HCDB18
HCDB24

DESIGN CONSIDERATIONS

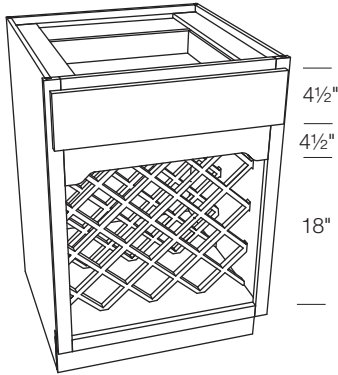
32³/₄" High - 24" Deep

- 8³/₄" toe space height
- 6³/₄" toe space depth
- See block 10000 for toe board trim

HOW TO ORDER

- Pricing P-158.

Block 4399 Base with Wine Rack Below Drawer



Full Width Drawer
BXX24
2BXX27
2BXX30
2BXX33
2BXX36

DESIGN CONSIDERATIONS

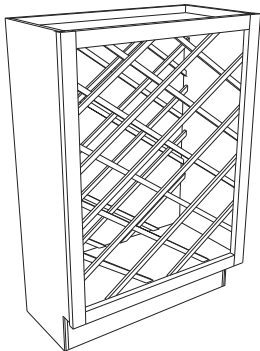
- 34 1/2" High - 24" Deep**
- Ogee edge on frame opening
 - Stained veneer interior
 - Arch valance is standard

HOW TO ORDER

- Other valances are available. See block 12313 for Valance Top Rail options.
- Ogee edge on frame may be modified when certain valances are specified. See HelpZone for information.
- Pricing P-159.

Cabinet Width	Bottle Capacity
24"	12
27"	17
30"	17
33"	22
36"	22

Block 4400 Wall Base Criss Cross Wine Rack



WBXXW2434
WBXXW2734
WBXXW3034
WBXXW3334
WBXXW3634

DESIGN CONSIDERATIONS

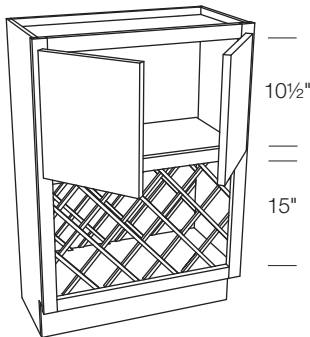
- 34 1/2" High - 12" Deep**
- Ogee edge on frame opening
 - Stained veneer interior

HOW TO ORDER

- Pricing P-159.

Cabinet Width	Bottle Capacity
24"	17
27"	24
30"	24
33"	31
36"	32

Block 4401 Wall Base with Wine Rack Below Doors



Butt Doors
2WBXW2434
2WBXW2734
2WBXW3034
2WBXW3334
2WBXW3634

DESIGN CONSIDERATIONS

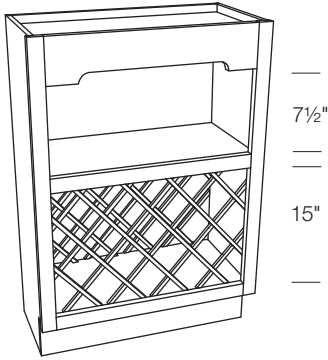
- 34 1/2" High - 12" Deep**
- Ogee edge on frame opening
 - Stained veneer interior
 - No shelf

HOW TO ORDER

- Pricing P-159.

Cabinet Width	Bottle Capacity
24"	7
27"	10
30"	10
33"	13
36"	13

Block 4402 Wall Base with Wine Rack Below Open Shelf



WBXWX2434
WBXWX2734
WBXWX3034
WBXWX3334
WBXWX3634

DESIGN CONSIDERATIONS

34 1/2" High - 12" Deep

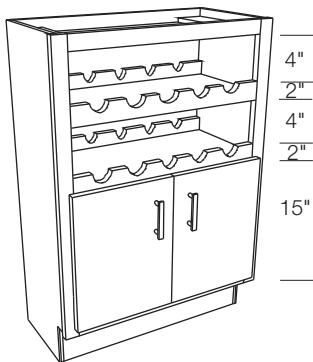
- Ogee edge on frame opening
- Stained veneer interior
- Arch valance is standard

HOW TO ORDER

- Other valances are available. See block 12313 for Valance Top Rail options.
- Ogee edge on frame may be modified when certain valances are specified. See HelpZone for information.
- Pricing P-159.

Cabinet Width	Bottle Capacity
24"	7
27"	10
30"	9
33"	13
36"	13

Block 4405 Wall Base Wine Rack



Butt Doors
2WB2W2434
2WB2W3034
2WB2W3634

DESIGN CONSIDERATIONS

34 1/2" High - 12" Deep

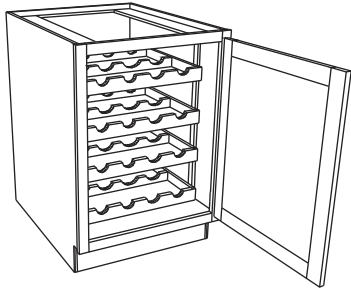
- Ogee edge on frame opening
- Stained veneer interior
- No shelf

HOW TO ORDER

- Pricing P-160.

Cabinet Width	Bottle Capacity
24"	8
30"	10
36"	12

Block 4410 Base Waterman Wine Closet



BWWC24

DESIGN CONSIDERATIONS

34½" High - 30" Deep

- 4 adjustable rollout wine trays that hold 8 bottles each
- Stained veneer interior
- Insert door standard, glass not included. See block 12020 for glass inserts.
- Side mount rollout tray glides
- Dimensional modifications not available

HOW TO ORDER

- Specify L or R hinging
- Pricing P-160.

NOTES/CAUTION

- Inset concealed hinges not available.

Block 4411 Base Wine Diagonal



BWWDIA24

DESIGN CONSIDERATIONS

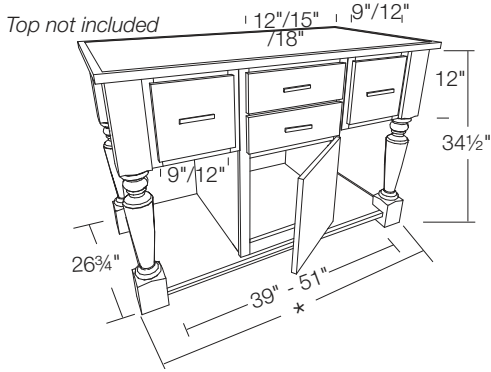
34½" High - 24" Deep

- Ogee edge on frame opening
- ¾" thick cross members
- Stained veneer interior
- Dimensional modifications not available

HOW TO ORDER

- Pricing P-160.

Block 4427 Base Island Unit - Style B



* Overall dimensions including posts:
5 1/2" posts add 11" to width (48" wide = 59")
3 1/2" posts add 7" to width (48" wide = 55")

3.5" legs
BIUB3935
BIUB4235
BIUB4535
BIUB4835
BIUB5135

5.5" legs
BIUB3955
BIUB4255
BIUB4555
BIUB4855
BIUB5155

Posts
GP86334
GP86534
GP87334
GP87534
GP88334
GP88534

Legs
GL53334
GL53534
GL05334SQR
GL06334SQR

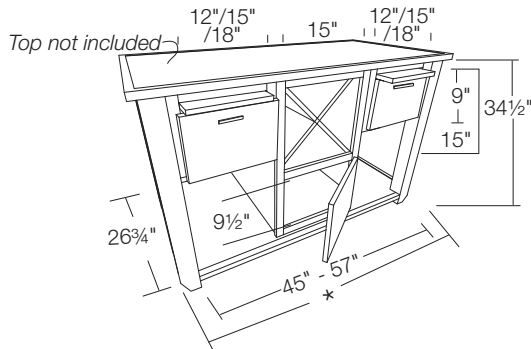
DESIGN CONSIDERATIONS

- 34 1/2" High - 26 3/4" Deep**
- This is a stand-alone unit
 - 47 1/2" - 63 1/2" overall width range
 - Four functional drawers
 - False drawer fronts are standard on the peninsula side
 - A shelf is attached at toe height between legs. The edge on the shelf is "cc".
 - Onlays are available. *On this island unit, there are two sides, two valances and four legs which can accept onlays.*
 - Choose from the posts and legs in chart on the left.
 - Hardware shown in illustration not included.
 - 12" eyebrow valance on both ends

HOW TO ORDER

- Specify leg/post option. **BIUB__** then style option. If plain do not specify style option.
Example: BIUB-GP86534-FLUTS
- Pricing P-161.

Block 4428 Base Island Unit - Style C



* Overall dimensions including posts:
5 1/2" posts add 11" to width (48" wide = 59")
3 1/2" posts add 7" to width (48" wide = 55")

3.5" legs
BIUC4535
BIUC4835
BIUC5135
BIUC5435
BIUC5735

5.5" legs
BIUC4555
BIUC4855
BIUC5155
BIUC5455
BIUC5755

Posts
GP86334
GP86534
GP87334
GP87534
GP88334
GP88534

Legs
GL53334
GL53534
GL05334SQR
GL06334SQR

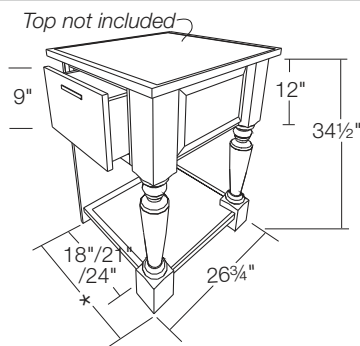
DESIGN CONSIDERATIONS

- 34 1/2" High - 26 3/4" Deep**
- This is a stand-alone unit
 - 53 1/2" - 69 1/2" overall width range
 - Two functional drawers
 - False drawer fronts are standard on the peninsula side
 - A shelf is attached at toe height between legs. The edge on the shelf is "cc".
 - 3/4" thick cross members in wine storage area
 - Two bread boards
 - Bread board does not align with header width on Traditional or Full International overlay cabinets.
 - Alder cabinetry receives a cherry bread board
 - Can hold up to 20 bottles, depending on their size
 - Onlays are available. *On this island unit, there are two sides, two valances and four legs which can accept onlays.*
 - Choose from the posts and legs in chart on the left.
 - 12" eyebrow valance on both ends

HOW TO ORDER

- Specify leg/post option. **BIUC__** then style option. If plain do not specify style option.
Example: BIUC-GP86534-FLUTS
- Pricing P-161.

Block 4429 Base Island Unit - Style D



* Overall dimensions including posts:
5 1/2" posts add 8" to width (18" wide = 26")
3 1/2" posts add 6" to width (18" wide = 24")

3.5" legs
BIUD1835
BIUD2135
BIUD2435

5.5" legs
BIUD1855
BIUD2155
BIUD2455

Posts
GP86334
GP86534
GP87334
GP87534
GP88334
GP88534

Legs
GL53334
GL53534
GL05334SQR
GL06334SQR

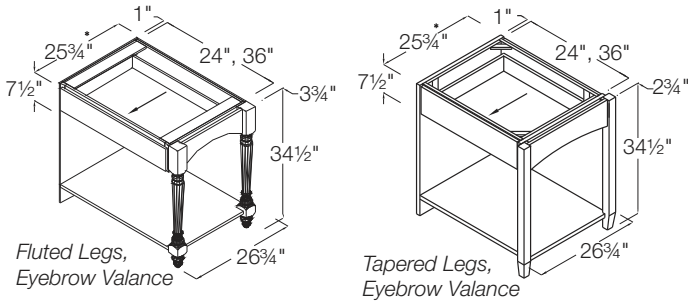
DESIGN CONSIDERATIONS

- 34 1/2" High - 26 3/4" Deep**
- This is a stand-alone unit
 - 26 1/2" - 36 1/2" overall width range
 - One functional drawer
 - False drawer fronts are standard on the peninsula side and end
 - A shelf is attached at toe height between legs. The edge on the shelf is "cc".
 - Choose from the posts and legs in chart on the left.

HOW TO ORDER

- Specify leg/post option. **BIUD__** then style option. If plain do not specify style option.
Example: BIUD-GP86534-FLUTS
- Pricing P-162.

Block 4430 Base Island Assembly - Style A



Cherry, Hickory*, Maple, Oak
BIA24-EYEV
BIA24-MS3
BIA24-SVL

BIA36-EYEV
BIA36-MS3
BIA36-SVL

* Tapered legs will be oak on hickory island.

DESIGN CONSIDERATIONS

•34 1/2" High - 25 3/4" Deep

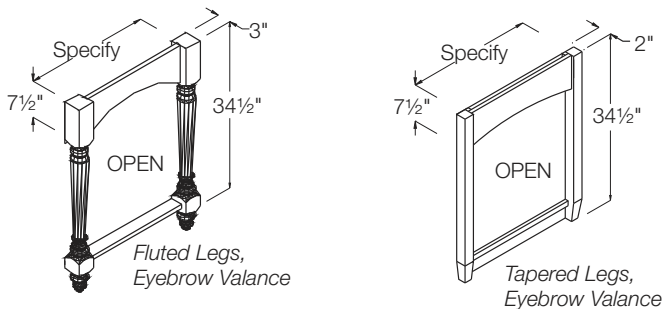
This is designed for the end of a peninsula or island, and to be adjacent to another cabinet.

- One functional drawer
- A false drawer front is standard on the peninsula side
- A peninsula end panel is attached on the end opposite the valance. The panel is finished on one end only.
- A shelf is attached at toe height between legs and panel. The edge on the shelf is "cc".
- Four leg options and three valance options are available. See list and illustrations on page C-158.
- Plain, Fluted and Rope legs are styled with a bun foot.
- Onlays are available. They are field applied. *On this island unit, there are two sides, one valance and two legs which can accept onlays.*

HOW TO ORDER

- Specify **LEG** in the Special Information column. **TP** for Plain Turned Post, **TPR** for Rope Turned Post, **TPF** for Fluted Turned Post. To specify a Tapered Leg, DO NOT add a suffix.
- Specify **VALANCE PLACEMENT**. Specify **LEFT** or **RIGHT** in the Special information column. Illustrations show Right.
- Specify which side of the cabinet is the peninsula side. Illustration shows right.
- Pricing P-162.

Block 4435 Base Island Assembly - Style B



Cherry, Hickory*, Maple, Oak
BIB

* Tapered legs will be oak on hickory island.

DESIGN CONSIDERATIONS

34 1/2" High

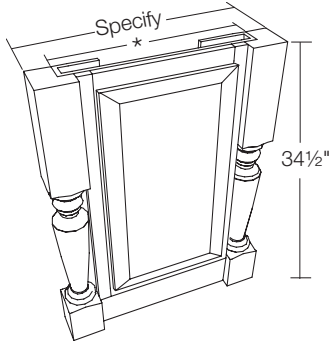
This is a decorative treatment for an end-of-run, or to be applied to both ends of a base cabinet to create a stand-alone island. In both cases, order a finished end(s) for the cabinet.

- Legs are joined with a valance and a rail
- Maximum width is 36"
- Four leg options and three valance options are available. See list and illustrations on page C-158.
- Plain, Fluted and Rope legs are styled with a bun foot.
- Onlays are available. They are field applied. *On this island unit, there is one valance and two legs which can accept onlays.*

HOW TO ORDER

- Specify **LEG**. Suffix **BIB__** with **TP** for Plain Turned Post, **TPR** for Rope Turned Post, **TPF** for Fluted Turned Post. To specify a Tapered Leg, DO NOT add a suffix.
- Specify **VALANCE** in the Special Information column: **EYE**, **SVL**, or **MSIII**.
- Pricing P-162.

Block 4437 Base Island Assembly - Style C



Alder, Cherry, Hickory, Maple, Oak
BIC35
BIC55

DESIGN CONSIDERATIONS

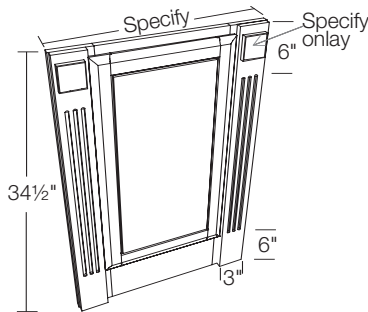
34 1/2" High

- This is a decorative treatment for an end-of-run, or to be applied to both ends of a base cabinet to create a stand-alone island.
- Maximum width is 38 3/4"
- Designed to match up with the front of the doors of a peninsula cabinet or a 12" and 24" deep cabinet backed up to each other.
- Multiple leg options are available. See pages C-322-325 of the Decorative Accent Partners section. Legs can be specified as roped, reeded or fluted.
- The legs will be notched to fit around panel box.
- MDP will match the doors on the rest of the order
- Under 31 5/8" wide receives one MDP
- 31 5/8" and wider receives two MDP's
- Onlays are available. They are field applied.

HOW TO ORDER

- Specify Leg/Post option. **BIC**___ then style option. If plain do not specify style option
Example: **BIC-GL43534-FLUTS**
- Recommend ordering width so it is equal to cabinet depth and door dimension ie: 24" cabinet, 7/8" door, 3/4" panel, order 25 5/8" width **BIC**___.
- Pricing P-162.

Block 4439 Base Island Assembly - Style D



Cherry, Maple, Oak
BID

DESIGN CONSIDERATIONS

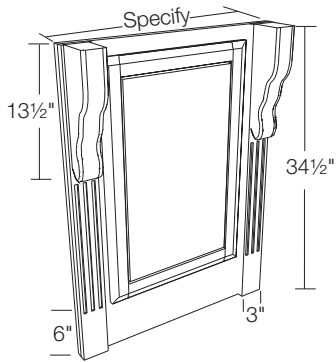
34 1/2" High

- This is a decorative treatment for an end-of-run, or to be applied to both ends of a base cabinet to create a stand-alone island.
- 1" Peninsula End panel with fluted filler caps, small onlays/capitals and MDP applied to panel.
- Maximum width is 38 3/4"
- Designed to match up with the front of the doors of a peninsula cabinet or a 12" and 24" deep cabinet backed up to each other.
- Flutes stop 6" from top and bottom unless noted otherwise
- MDP will match the doors on the rest of the order
- Under 30 1/8" wide receives one MDP
- 30 1/8" and wider receives two MDP's

HOW TO ORDER

- Specify small onlays/capitals. **BID**___ then onlay option.
Example: **BID-SACNAP**
- Recommend ordering width so it is equal to cabinet depth and door dimension ie: 24" cabinet, 7/8" door, 3/4" panel, order 25 5/8" width **BID**___.
- Pricing P-163.

Block 4439 Base Island Assembly - Style E



Cherry, Maple, Oak
BIE

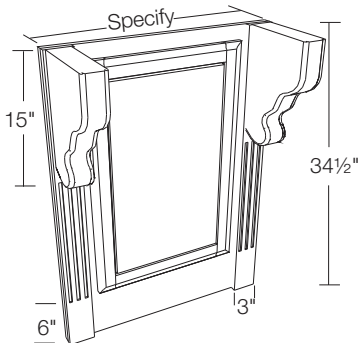
DESIGN CONSIDERATIONS

- This is a decorative treatment for an end-of-run, or to be applied to both ends of a base cabinet to create a stand-alone island.
- 1" Peninsula End panel with fluted filler caps, large corbels and MDP applied to panel.
- Maximum width is 38 3/4"
- Designed to match up with the front of the doors of a peninsula cabinet or a 12" and 24" deep cabinet backed up to each other.
- Flutes stop 13 1/2" from top and 6" from bottom unless noted otherwise
- MDP will match the doors on the rest of the order
- Under 30 1/8" wide receives one MDP
- 30 1/8" and wider receives two MDP's
- Works with corbels in blocks 9472 or 9476

HOW TO ORDER

- Specify large corbels. **BIE**__ then corbel option.
Example: **BIE-BRLNATURE**
- Recommend ordering width so it is equal to cabinet depth and door dimension ie: 24" cabinet, 7/8" door, 3/4" panel, order 25 5/8" width **BIE**__.
- Pricing P-163.

Block 4439 Base Island Assembly - Style F



Cherry, Maple, Oak
BIF

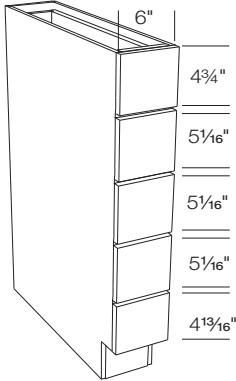
DESIGN CONSIDERATIONS

- This is a decorative treatment for an end-of-run, or to be applied to both ends of a base cabinet to create a stand-alone island.
- 1" Peninsula End panel with fluted filler caps, large corbels/brackets and MDP applied to panel.
- Maximum width is 38 3/4"
- Designed to match up with the front of the doors of a peninsula cabinet or a 12" and 24" deep cabinet backed up to each other.
- Flutes stop 15" from top and 6" from bottom unless noted otherwise
- MDP will match the doors on the rest of the order
- Under 30 1/8" wide receives one MDP
- 30 1/8" and wider receives two MDP's
- Works with corbels/brackets in blocks 9480, 9484, 9488, 9490, 9492, 9494, 9500

HOW TO ORDER

- Specify corbels/brackets. **BIF**__ then corbel option.
Example: **BIF-CTSGRAPE**
- Recommend ordering width so it is equal to cabinet depth and door dimension ie: 24" cabinet, 7/8" door, 3/4" panel, order 25 5/8" width **BIF**__.
- Pricing P-163.

Block 4450 Base Vertical Apothecary Drawer



BVAD06

DESIGN CONSIDERATIONS

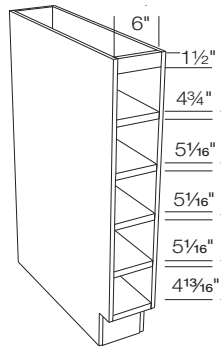
34 1/2" High - 24" Deep

- 5 friction fit 1/2" hardwood drawers with overlay headers
- Edge banded plywood construction
- If putting this item on the end of a run, always use a base end panel or panel box
- Dimensional modifications not available
- Slab headers with all door styles

HOW TO ORDER

- Pricing P-163.

Block 4460 Base Vertical Wine Rack



BVWR06

DESIGN CONSIDERATIONS

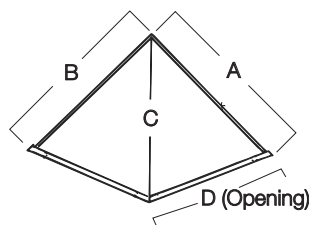
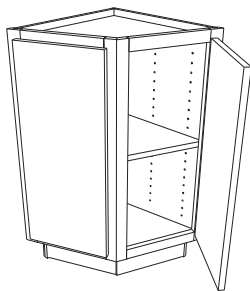
34 1/2" High - 24" Deep

- Edge banded plywood construction
- Stained veneer interior
- If putting this item on the end of a run, always use a base end panel or panel box
- Height modifications not available
- Openings are 5" wide

HOW TO ORDER

- Pricing P-163.

Block 4560 Angle End Base



AEB18
AEB21
AEB24

DESIGN CONSIDERATIONS

34 1/2" High - 24" Deep

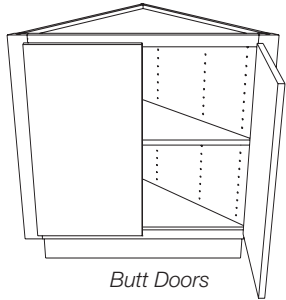
- 1 adjustable full depth shelf
- Allow 18", 21" or 24" of wall space for installation
- Dimensions A and B must be the same when modifying
- Back panels are 1/2" veneer core plywood

HOW TO ORDER

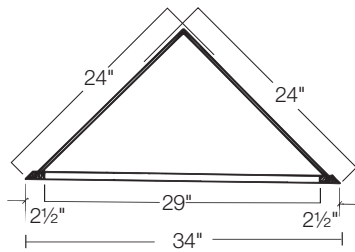
- Pricing P-164.

	A	B	C	D
AEB18	18"	18"	17 3/4"	10 1/2"
AEB21	21"	21"	20 3/4"	12"
AEB24	24"	24"	23 3/4"	15"

Block 4570 Angle Base



Butt Doors



Butt Doors
2AB24

DESIGN CONSIDERATIONS

34 1/2" High - 24" Deep

- 1 adjustable full depth shelf
- Corner dimensions must be the same when modifying
- Allow 24" of wall space for installation
- Back panels are 1/2" veneer core plywood

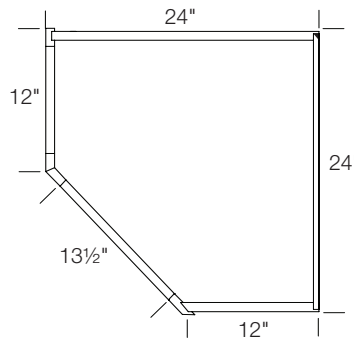
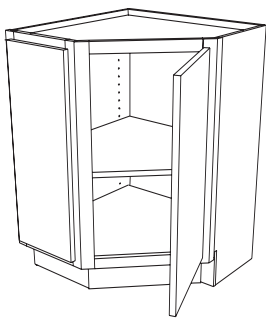
HOW TO ORDER

- Pricing P-164.

NOTES/CAUTION

- Inset concealed hinges not available.

Block 4575 Base Diagonal Wall



BDW24L
BDW24R

DESIGN CONSIDERATIONS

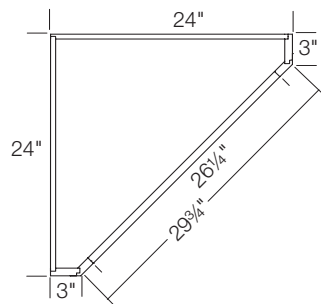
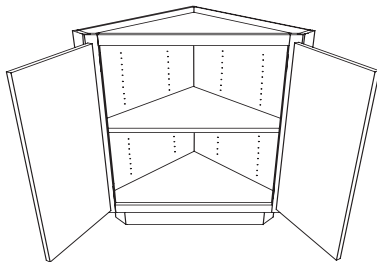
34 1/2" High - 24" Deep

- 1 adjustable full depth shelf
- Allow 24" of wall space for installation
- Toe kick on same sides as doors

HOW TO ORDER

- Specify **L** or **R** hinging for both doors
- Nomenclature indicates end of run: **L** for Left, **R** for Right
- Illustration shows this cabinet at the right end of a run
- Pricing P-164.

Block 4578 Base Angled Corner



BAC24

DESIGN CONSIDERATIONS

34 1/2" High - 24" Deep

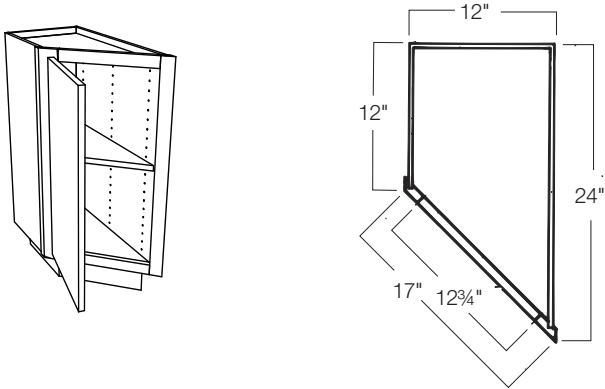
- 1 adjustable full depth shelf
- Corner dimensions must be the same when modifying
- Allow 24" of wall space for installation
- Back panels are 1/2" veneer core plywood
- 3" end panels are flushed and finished

HOW TO ORDER

- Pricing P-164.



Block 4580 Base Angle Cabinet



DESIGN CONSIDERATIONS

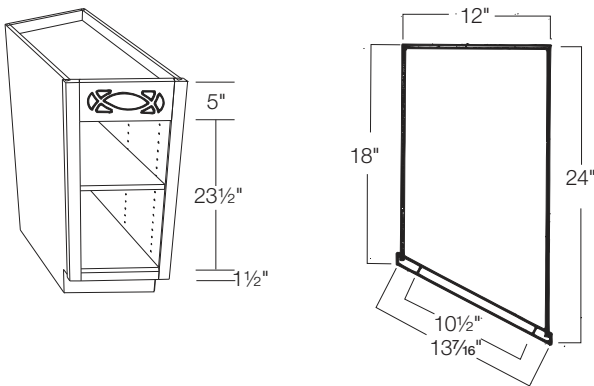
- 34 1/2" High - 24" Deep**
- 1 adjustable full depth shelf
 - Toe kick on 12" deep side and front

HOW TO ORDER

- Specify **L** or **R** hinging
- Nomenclature indicates end of run: **L** for Left, **R** for Right
- Illustration shows this cabinet at the left end of a run
- Pricing P-164.

BAC12L
BAC12R

Block 4590 Angle Country Base



DESIGN CONSIDERATIONS

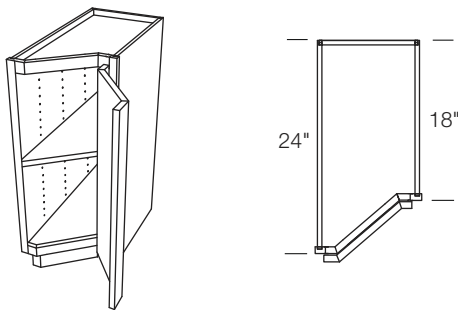
- 34 1/2" High - 24" Deep**
- 1 adjustable full depth shelf
 - Stained veneer interior

HOW TO ORDER

- Nomenclature indicates end of run: **L** for Left, **R** for Right
- Illustration shows this cabinet at the left end of a run
- Other valances are available. See block 12313 for Valance Top Rail options.
- Pricing P-165.

ACB12L
ACB12R

Block 4595 Base Z Door



DESIGN CONSIDERATIONS

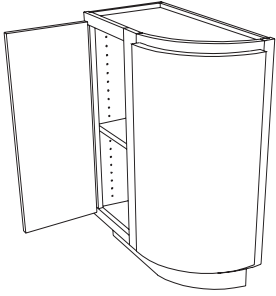
- 34 1/2" High - 24" Deep**
- 1 adjustable full depth shelf
 - No modifications allowed

HOW TO ORDER

- Nomenclature indicates end of run: **L** for Left, **R** for Right
- Left end of run is hinged left, right end of run is hinged right
- Illustration shows this cabinet at the right end of a run
- Not available in First Edition or Newberry door styles
- Pricing P-165.

BZ12L
BZ12R

Block 4600* Curved Out Base



COB12L
COB12R

DESIGN CONSIDERATIONS

34½" High - 12" Wide - 12" Radius

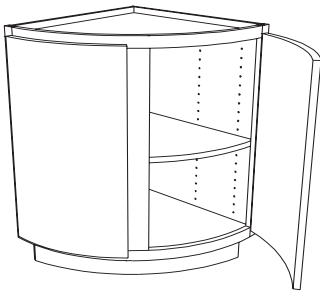
- 1 adjustable full depth shelf
- Curved toe kick
- Dimensional modifications not available

HOW TO ORDER

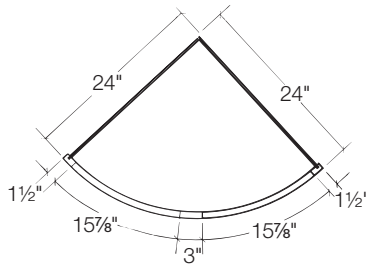
- Available in Accord, Alite, Georgetown, Harmony, Monroe, Royale, Tempo and Tudor
- Not available in Alder and Rustic Alder
- Nomenclature indicates end of run: L for Left, R for Right
- Illustration shows this cabinet at the left end of a run
- Cannot be placed on rush order
- Pricing P-165.

* On select door styles only

Block 4610* Curved Out Base



24" Radius
COB24



DESIGN CONSIDERATIONS

34½" High - 24" Radius

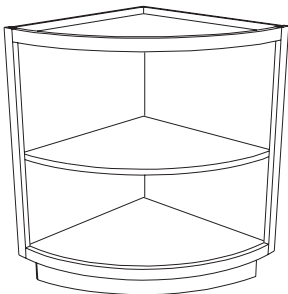
- 1 adjustable full depth shelf
- Curved toe kick
- Dimensional modifications not available
- Back panels are ½" veneer core plywood

HOW TO ORDER

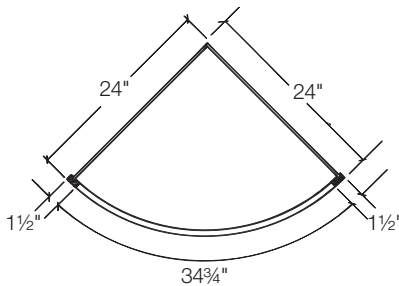
- Available in Accord, Alite, Georgetown, Harmony, Monroe, Royale, Tempo and Tudor
- Not available in Alder and Rustic Alder
- Cannot be placed on rush order
- Pricing P-165.

* On select door styles only

Block 4620 Curved Out Base with Open Shelves



COXB24



DESIGN CONSIDERATIONS

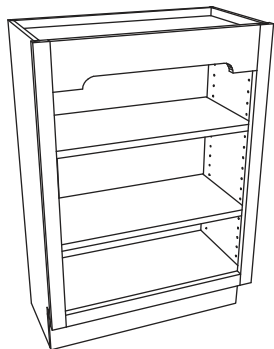
34½" High - 24" Radius

- 1 fixed full depth shelf
- Stained veneer interior
- Curved toe kick
- Dimensional modifications not available
- Back panels are ½" veneer core plywood

HOW TO ORDER

- Cannot be placed on rush order
- Pricing P-165.

Block 4630 Open Shelf Wall Base



WBCF2434
WBCF2734
WBCF3034
WBCF3334
WBCF3634

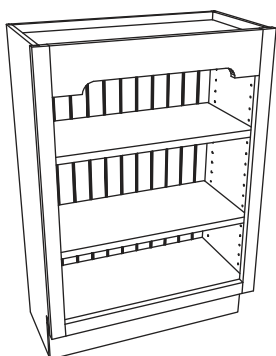
DESIGN CONSIDERATIONS

- 34½" High - 12" Deep**
- Ogee edge on frame opening
 - Stained veneer interior
 - Arch valance is standard
 - 2 adjustable full depth shelves

HOW TO ORDER

- Other valances are available. See block 12313 for Valance Top Rail options.
- Ogee edge on frame may be modified when certain Valances are specified. See HelpZone for information.
- Pricing P-166.

Block 4631 Open Shelf Wall Base with Beaded Back



WBCF2434BB
WBCF2734BB
WBCF3034BB
WBCF3334BB
WBCF3634BB

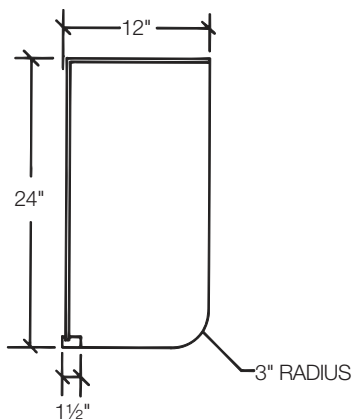
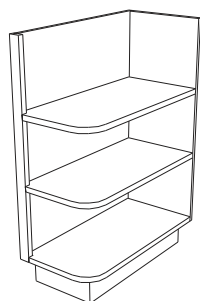
DESIGN CONSIDERATIONS

- 34½" High - 12" Deep**
- Ogee edge on frame opening
 - Stained veneer interior
 - Arch valance is standard
 - 2 adjustable full depth shelves
 - Beaded Back

HOW TO ORDER

- Other valances are available. See block 12313 for Valance Top Rail options.
- Ogee edge on frame may be modified when certain Valances are specified. See HelpZone for information.
- Pricing P-166.

Block 4700 Quarter Round Base End



DESIGN CONSIDERATIONS

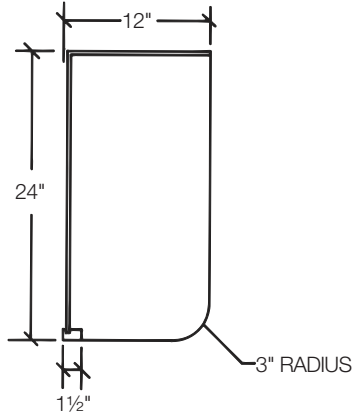
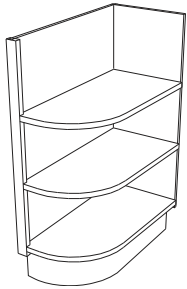
- 34½" High**
- To be used on end of cabinet run
 - 3" radius shelf
 - Uses 12" wall space
 - Stained veneer interior

HOW TO ORDER

- Nomenclature indicates end of run: L for Left, R for Right
- Illustration shows this cabinet at the right end of a run
- Pricing P-166.

QRBEL
QRBER

Block 4710 Curved Round Base End



CRBEL
CRBER

DESIGN CONSIDERATIONS

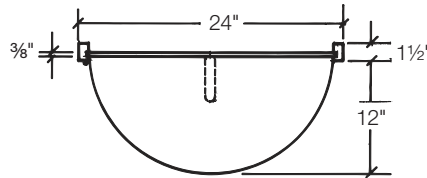
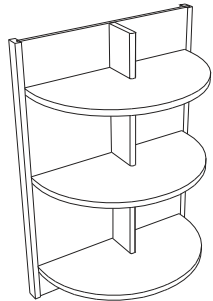
34 1/2" High

- 3" radius shelf
- Curved toe kick
- Finished toe kick is standard
- Uses 12" wall space
- Stained veneer interior

HOW TO ORDER

- Nomenclature indicates end of run: L for Left, R for Right
- Illustration shows this cabinet at the right end of a run
- Pricing P-166.

Block 4730 Half Round Base End



HRBE

DESIGN CONSIDERATIONS

34 1/2" High

- To be used on end of base or peninsula run
- 12" radius shelves
- No toe kick
- Stained veneer interior

HOW TO ORDER

- Pricing P-167.