

## 1. We recommend starting with

SPECIES	DOOR STYLES and OPTIONS	FINISHES
Alder	Bedford	Earth Tones
Cherry	Bridgeport	Caramel
Maple	Bridgeport with 5 piece header	Chestnut
White Oak	Corona	Java
Quarter	Hudson	Natural
Sawn Red	Hudson with 5 piece header	Chocolate Glaze
Oak	Lancaster	Two Tones
	Milan	Licorice
	Farmington	
	<i>Available in Quarter Sawn Red Oak and Alder</i>	
	Five-piece header	Block 12050
	Furniture pegs	Block 12045
	Low Sheen	Block 12850

## 2. Hardware

See block 10508.

## 3. Modifications

INSERT DOORS	BLOCK #	DESIGN CONSIDERATIONS
Insert Door	12000	Insert Brass, Decorative Glass, Metal, Textured Glass, Woven Wire or clear glass.
Mission II Door	12032	Insert Textured Glass or clear glass.
Mission III Door	12034	Insert Textured Glass or clear glass.
Prairie Mullion Door	12040	Insert Textured Glass or clear glass.
Thornton Insert Door	12008	Insert Brass, Decorative Glass, Metal, Textured Glass, Woven Wire or clear glass.

INSERT OPTIONS	BLOCK #	DESIGN CONSIDERATIONS
Brass Insert	12010	This is not shiny brass. It's an aged look.
Decorative Glass Inserts	12020	Arts & Crafts, Craftsman, Mission, Mullion, Prairie. Lead coming.
Metal Inserts	12025	Brushed Bronze Aluminum, Brushed Pewter.
Textured Glass Inserts	12020	Dark Amber, Light Amber, KoKo Green, KoKo Seedy.
Woven Wire Inserts	12023	Pewter Finish for insert doors, vegetable storage drawer front, valances.




  

MORE GOOD LOOKS	BLOCK #	DESIGN CONSIDERATIONS
Toe Treatment	12470	Onlays are available. They are field applied. See the chart on page 90 for suggested onlays.
Valance Top Rail	12313	EYE, EYECO, PTV, CCO, CCOP, SVL, MSIII. Onlays are available. They are field applied. See the chart on page 90 for suggested onlays.
Veg. Storage Drawer Front	12044	Insert Metal, Textured Glass, Woven Wire or clear glass.

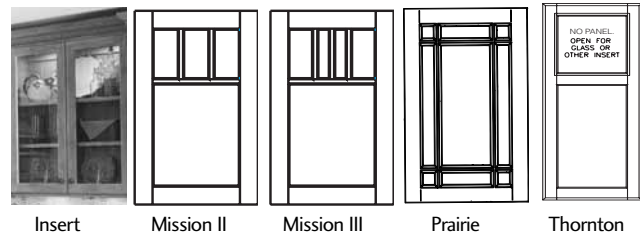
## 4. Accessories and Onlays (decorative accents)

See the chart on page 90.

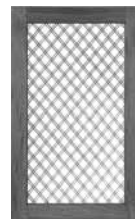
## 5. Moulding

ITEM	BLOCK #
	
Large Cove Moulding	10120
	
Cove Moulding	10190
	
Arts & Crafts Crown Moulding	10085

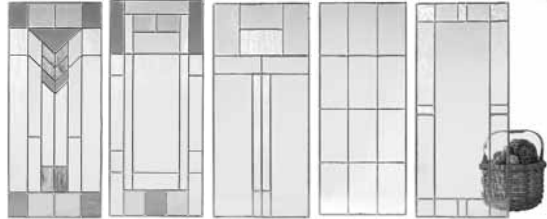
### Insert Doors



### Brass Insert



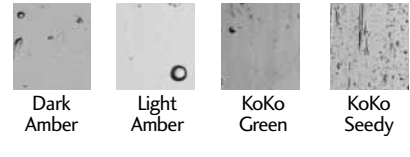
### Decorative Glass Inserts



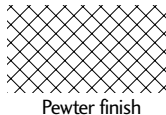
### Metal Inserts



### Textured Glass Inserts



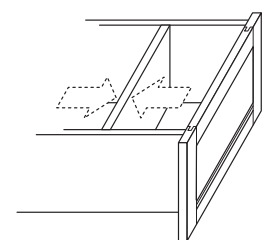
### Woven Wire Insert



### Toe Treatment



### Vegetable Storage Front Drawer

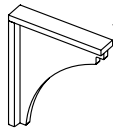


### Valance Top Rail

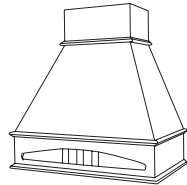


*Note: Artwork is not to scale. See the block number for accurate dimensions.*

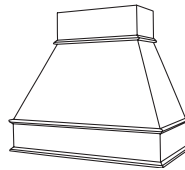
### 6. Focal Points: Corbels, Wood Hoods, Valances and Islands



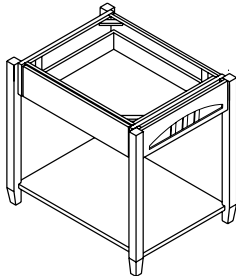
Art & Crafts Corbel



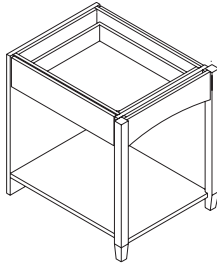
Wood Hood with Mission III Valance



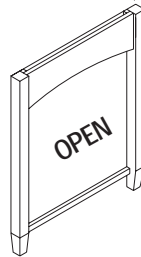
Wood Hood with Straight Valance



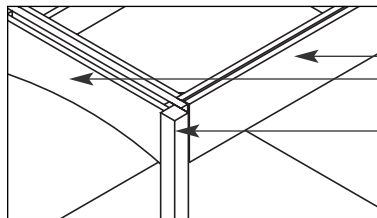
Base island unit



Base island style A



Base island style B



Onlays can be field applied to slab drawer fronts, the valances, the skirts and the legs.

ITEM	BLOCK #	DESIGN CONSIDERATIONS
Arts & Crafts Corbel	9500	Onlays can be field applied to the corbel. See the chart on page 90 for suggested onlays.
Wood Hood	2650	Mission III Valance or Straight Valance Onlays can be field applied to the Straight Valance. See the chart on page 90 for suggested onlays.

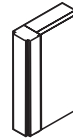
For Base Island Unit, Style A and Style B:

- Choose a valance: EYEV, SVL or MS3.
- Choose optional onlays. They are field applied to the island's valances, skirts, and slab drawer headers. See the chart on page 90 for suggested onlays.
- Specify Tapered Legs. Onlays can be field applied to the legs. See the chart on page 90 for suggested onlays.

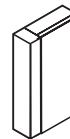
Base Island Unit	4425	This is a stand-alone unit. The edge on the shelf is a "cc" edge, shown in Step 7.
Base Island style A	4430	This is designed for the end of a peninsula or island, and to be adjacent to another cabinet. The edge on the shelf is a "cc" edge, shown in Step 7.
Base Island style B	4435	This is a decorative treatment for an end-of-run, or to be applied to both ends of a base cabinet to create a stand-alone island. Legs are joined with a valance and a rail.

### 7. Shelving

ITEM	BLOCK #	DESIGN CONSIDERATIONS
Furniture frame shelf with glass	9610	Suggested nosing options are shown below.
Furniture frame shelf	9609	Suggested nosing options are shown below.



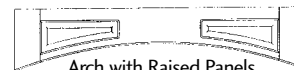
aa edge



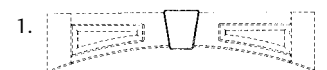
cc edge

Wall Vertical Wine Rack	2101
-------------------------	------

Base Vertical Wine Rack	4460
-------------------------	------



Arch with Raised Panels  
Shown with  
1. Classic Key



ITEM	BLOCK #	DESIGN CONSIDERATIONS
Arch Valance with Key	9903 9904	Specify Raised Panel arch with a Classic Key. Onlays can be field applied to the Classic Key. See the chart on page 90 for suggested onlays.

*Note: Artwork is not to scale. See the block number for accurate dimensions*

Note: Artwork is not to scale. See the block number for accurate dimensions

**ACCESSORIES** ➤

Some Accessories accept Onlays and Moulding. We've indicated, with an "X," which Onlays and Moulding are suitable for Accessories that can accept them.

		FURNITURE EFFECTS*		SKIRTS & BRACKETS			FILLERS & END PANELS		**VALANCES							
		Tapered Foot 	Tapered Leg 	Traditional Furniture Skirt 	Traditional Bracket Foot, sold in pairs 	Traditional Mitrred Corner bracket foot 	Plain Panel Box 	Chamfered Panel Box 	Eyebrow 	Eyebrow with cut-outs 	Straight Onlay 	Traditional Onlay 	Frame Valance Accepts insert 	Chamfered with cut-outs 	Chamfered w/ cut-outs + pegs 	MSS Arched Cut-out 
Block#		9514	9516	9536	9550	9552	9090	9101/9233	9901							
Wood Onlays	9442 Rosette	<b>X</b>	<b>X</b>	<b>X</b>	<b>X</b>	<b>X</b>	<b>X</b>		<b>X</b>	<b>X</b>	<b>X</b>	<b>X</b>	<b>X</b>	<b>X</b>		
	SM			<b>X</b>	<b>X</b>	<b>X</b>	<b>X</b>		<b>X</b>	<b>X</b>	<b>X</b>	<b>X</b>		<b>X</b>		
	LG															

*\*To choose onlays for island legs, refer to the Tapered Leg column.*

*\*\*To choose onlays for valances on wood hoods and islands, refer to these columns:  
 Eyebrow Valance  
 Straight Valance  
 To replace Keys on the Key Arched Valance with Wood Onlays, refer to this column:  
 Traditional Valance*

Note: We left room here so you can write in new products, notes, ideas, etc.

---

**NOTES** *use this space to take notes, organize your thoughts, or develop your ideas.*

---

Kitchen designers have been applying the Tapered Leg (Block 9516, TAPLG) to Pull-out Filler Storage (block 9008, BPOFS\_\_\_).