

LOOK FOR THIS SYMBOL



This symbol indicates information on a product, service or feature that gives StarMark and you a distinct competitive advantage.

INDEX

StarMark Custom Construction details . . . 16-21
 StarMark Collection Construction details . . 16-21
 Specie Characteristics 22-23
 Finish Characteristics of
 Doors and Drawer Headers 24
 Stains 25
 Glaze over a Stain. 25
 Low Sheen 26
 Rigid Thermo Foil 26
 Distressing 26
 Spattering 26
 Tinted Varnish 27
 Glazes over Tinted Varnish 27
 Bordeaux 28
 Cottage 29
 Licorice 29
 Oatmeal 30
 Finish Expectations Form 31-32
 Reveals & Overlays 33
 Traditional Overlay Doors 34
 International Overlay Doors 34-35
 Door Specifications (International) 36-49
 Door Specifications (Traditional) 50-53
 Door Style Options 54-57
 Maple Door Styles 58-59
 Cherry Door Styles 60
 Hickory Door Styles 61
 Oak Door Styles 62
 Alder Door Styles 63



Soft close Blumotion StarMark Custom is one of the best cabinet choices at this price point to offer Blumotion as STANDARD.



STARMARK CUSTOM DRAWERS:
 BLUMOTION SOFT CLOSE, FULLY EXTENDED, FULLY HIDDEN.

STARMARK CUSTOM

Self-closing, sooo quiet, full extension, no-see glides

It's what you want, and more importantly, what the homeowner wants in a cabinet drawer: full extension for easy access, with no hardware showing, and a quiet, classy closing mechanism.



Soft close Blumotion StarMark is one of the best cabinet choices at this price point to offer Blumotion as STANDARD.

The standard drawer for StarMark Custom also features:

Blum Tandem full extension glides

3/4" solid wood dovetail drawer material

STARMARK COLLECTION

Full extension, no-see glides

The standard glide in StarMark Collection is Blum Tandem full extension undermount glide on a 3/4" solid wood dovetail drawer box. An upgrade to Blumotion is available.

StarMark Custom

► DRAWER GLIDE SYSTEM

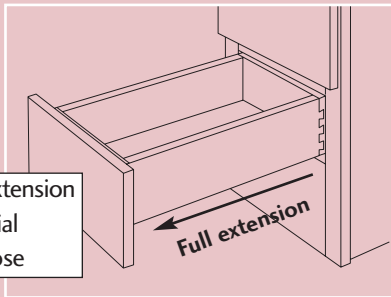
BLUMOTION®

Full extension, self-closing, and so-o-o quiet.

Drawer glides are Blum's Soft Close, featuring full extension and quiet, self-closing track system. The drawer glides are undermounted to the drawer box to virtually eliminate any drawer hardware from being visible.

Each glide includes ball-bearing movement and an automatic closing feature to ensure smooth and positive operation. Glides are mounted to the rear of each cabinet with mounting sockets, automatically centering the drawer, for proper drawer alignment. Release triggers are located under the drawer box for detaching a drawer from the glides.

Each drawer glide system is rated at 100 pounds.



Undermount full extension
3/4" drawer material
Blumotion Soft Close

★ The perfect complement to full extension tandem runners, Blumotion steers even fully loaded drawers to a smooth, silent closure. No rattle of silverware. No crash and thud each time the utensil drawer shuts. **Just a smooth, silent operation where the drawer closes itself the final two inches and rests securely in place.**

StarMark Collection

► DRAWER GLIDE SYSTEM

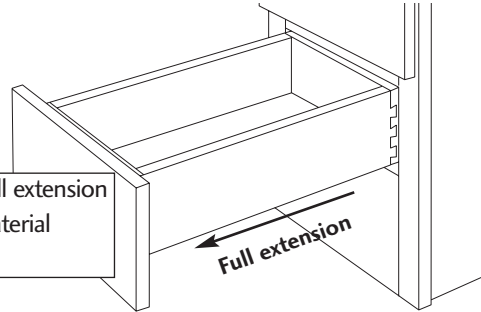
BLUM TANDEM

Full extension and quiet.

Drawer glides are Blum's Tandem. They are undermount and have full extension. The drawer glides are undermounted to the drawer box to virtually eliminate any drawer hardware from being visible.

Each glide includes ball-bearing movement and an automatic closing feature to ensure smooth and positive operation. Glides are mounted to the rear of each cabinet with mounting sockets, automatically centering the drawer, for proper drawer alignment. Release triggers are located under the drawer box for detaching a drawer from the glides.

Each drawer glide system is rated at 100 pounds.



Undermount full extension
3/4" drawer material
Blum Tandem

UPGRADE: THE DELUXE DRAWER SYSTEM

The Deluxe Drawer System features Blum's Tandem full extension glides with Soft Close mechanism. Ordering information is below.

To order Blumotion® in StarMark Collection Construction:

- Circle **DELUXE DRAWER** in the STYLING OPTIONS box, found on the first page of the order form.
- Specify **DELUXE DRAWER** as a separate line item.
- To price, total the drawers and roll trays in the order, multiply by the DELUXE DRAWER charge, and specify the total in the price column.
- This option is applied to the entire order. All the drawer glides will be full extension Blumotion. Drawer construction remains 3/4" material.

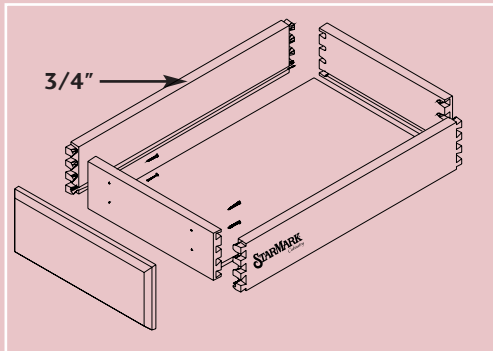
All Species
StarMark Collection
DELUXE DRAWER per drawer/roll tray **\$93 (list)**

StarMark Custom

► DRAWER BOX CONSTRUCTION

All wood, very durable.

The four-sided drawer box is constructed of 3/4" hardwood with dovetail corner joints. A captive 1/4" plywood drawer bottom is surfaced with durable, easy-to-clean melamine. All surfaces are sealed and topcoated.



► FULL EXTENSION ROLL TRAYS

The four-sided roll tray is constructed of 3/4" hardwood with dovetail corner joints. A captive 1/4" plywood bottom is surfaced with durable, easy-to-clean melamine. All surfaces are sealed and topcoated.

Roll tray glides are Blum's Soft Close, featuring full extension and quiet, self-closing track system. The roll tray glides are undermounted to virtually eliminate any hardware from being visible.

Each glide includes ball-bearing movement and an automatic closing feature to ensure smooth and positive operation.

This roll tray system is rated at 100 pounds.

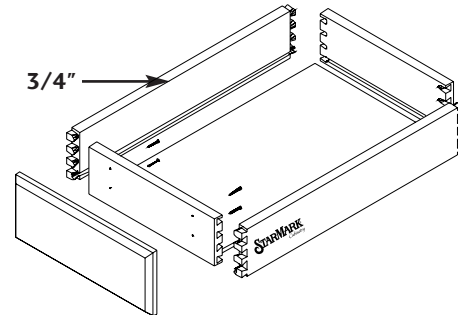
Trimmer pilasters means an inch more storage in each tray. Pilasters are predrilled every 1-1/2" for adjustability with just a screwdriver.

StarMark Collection

► DRAWER BOX CONSTRUCTION

All wood, very durable.

The four-sided drawer box is constructed of 3/4" hardwood with dovetail corner joints. A captive 1/4" plywood drawer bottom is surfaced with durable, easy-to-clean melamine. All surfaces are sealed and topcoated.



► FULL EXTENSION ROLL TRAYS

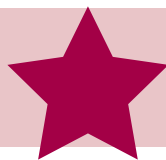
The four-sided roll tray is constructed of 3/4" hardwood with dovetail corner joints. A captive 1/4" plywood roll tray is surfaced with durable, easy-to-clean melamine. All surfaces are sealed and topcoated.

Full extension Blum Tandem glides give your homeowners easier access to cabinet contents. Glides are rated at 100 pounds. These undermount glides don't show, so the cabinet looks better.

An upgrade to Blumotion is available. See the UPGRADE section on the previous page for more information.

Trimmer pilasters means an inch more storage in each tray. Pilasters are predrilled every 1-1/2" for adjustability with just a screwdriver.

LOOK FOR
THIS SYMBOL



This symbol indicates information on a product, service or feature that gives StarMark and you a distinct competitive advantage.

StarMark Custom

► 1. END PANELS

1/2" thick unfinished lauan plywood glued and stapled into face frame dadoes for rigidity. Wall, base, and utility cabinets are bored to receive adjustable shelf supports. There is a 1/4" reveal behind the frame: see top view diagram on page 19.

OPTIONS

Finished Ends block 12060.

Flush end panels: block 12070. This eliminates the 1/4" reveal.

► 2. TOPS & BOTTOMS

Cabinet tops and bottoms are 1/2" plywood and they are surfaced with natural birch melamine (for added moisture resistance and cleanability) on the interior and exterior, glued to the face frame dado and end panel dado, then glued and stapled into the backrail for rigidity.

► 3. BACKS

Backs are 1/4" plywood with lauan veneer exterior and natural birch melamine interior. Backs are secured to the backrail rabbet and end panel rabbet with staples and glue.

► 4. BACKRAIL

Backrails are 1/2" thick plywood rabbeted to receive tops, bottoms and backs.

► 5. FACE FRAMES

Face frames are 3/4" thick select solid hardwood. Rails and stiles are joined with concealed screws and glue. Rails and stiles are dadoed to receive end panels, tops and bottoms.

★ StarMark Custom uses plywood for end panels, tops, bottoms and backs. Compare our material to other cabinetry companies.

StarMark Collection

► 1. END PANELS

3/8" thick unfinished lauan plywood glued and stapled into face frame dadoes for rigidity. Wall, base, and utility cabinets are bored to receive adjustable shelf supports. There is a 1/4" reveal behind the frame: see top view diagram on page 19.

OPTIONS

Finished Ends: block 12060.

To achieve flush ends in StarMark Collection order 1/4" skins (block 9368) to apply over end panels at job site.

► 2. TOPS & BOTTOMS

Cabinet tops and bottoms are 1/2" engineered wood and they are surfaced with natural birch melamine (for added moisture resistance and cleanability) on the interior and exterior, glued to the face frame dado and end panel dado, then glued and stapled into the backrail for rigidity.

► 3. BACKS

Backs are 1/4" plywood with lauan veneer exterior and natural birch melamine interior. Backs are secured to the backrail rabbet and end panel rabbet with staples and glue.

► 4. BACKRAIL

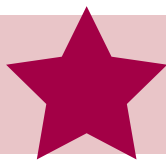
Backrails are 1/2" thick plywood rabbeted to receive tops, bottoms and backs.

► 5. FACE FRAMES

Face frames are 3/4" thick select solid hardwood. Rails and stiles are joined with concealed screws and glue. Rails and stiles are dadoed to receive end panels, tops and bottoms.

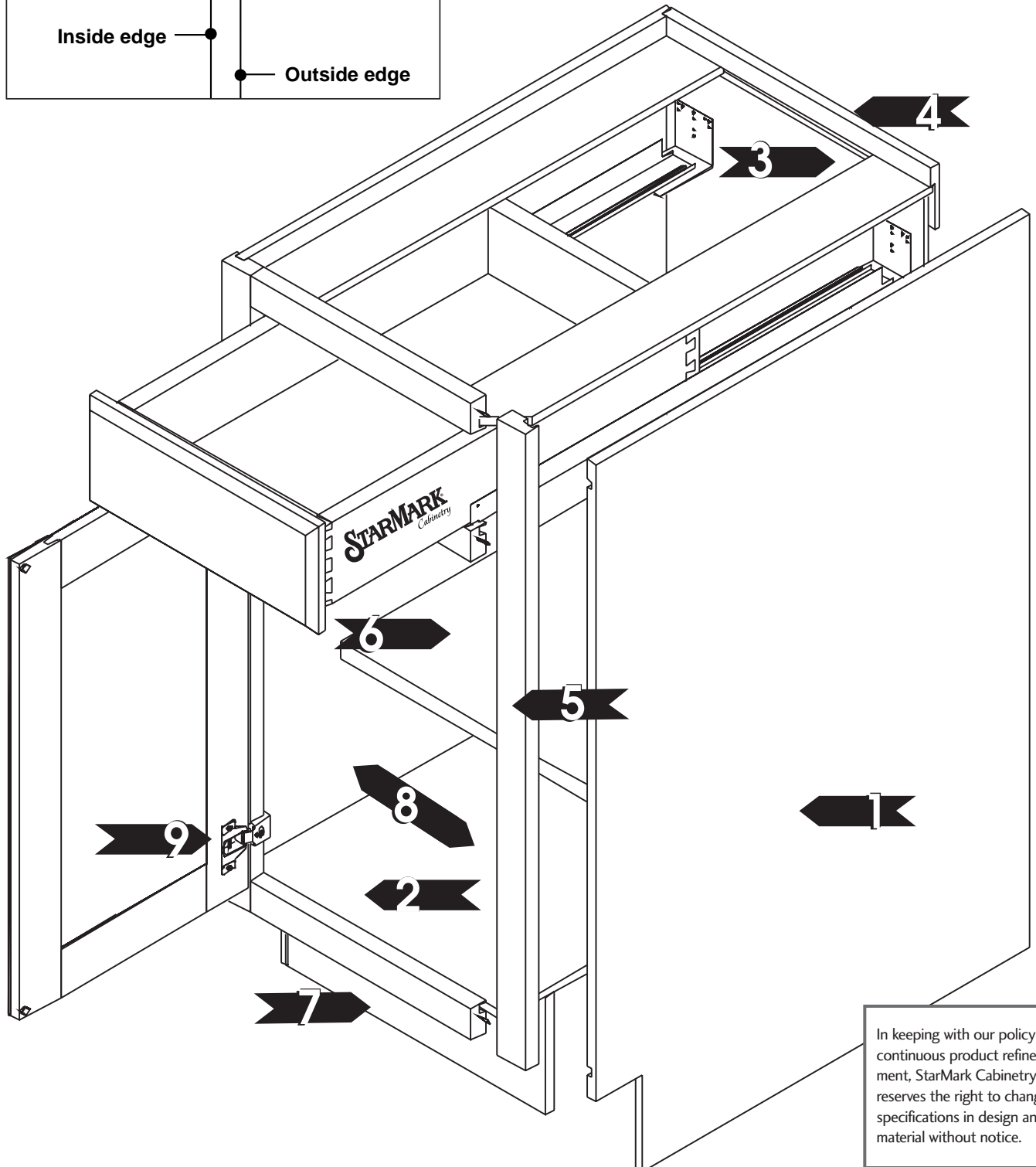
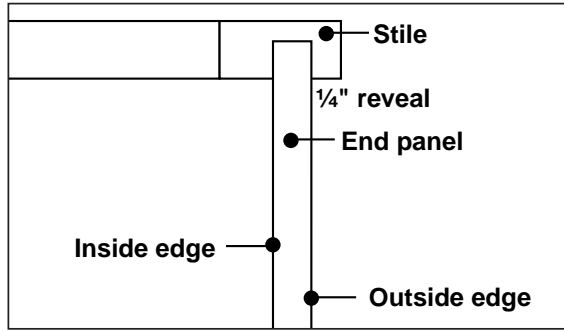
★ StarMark Collection uses plywood for end panels and backs. Compare our material to other cabinetry companies.

LOOK FOR
THIS SYMBOL



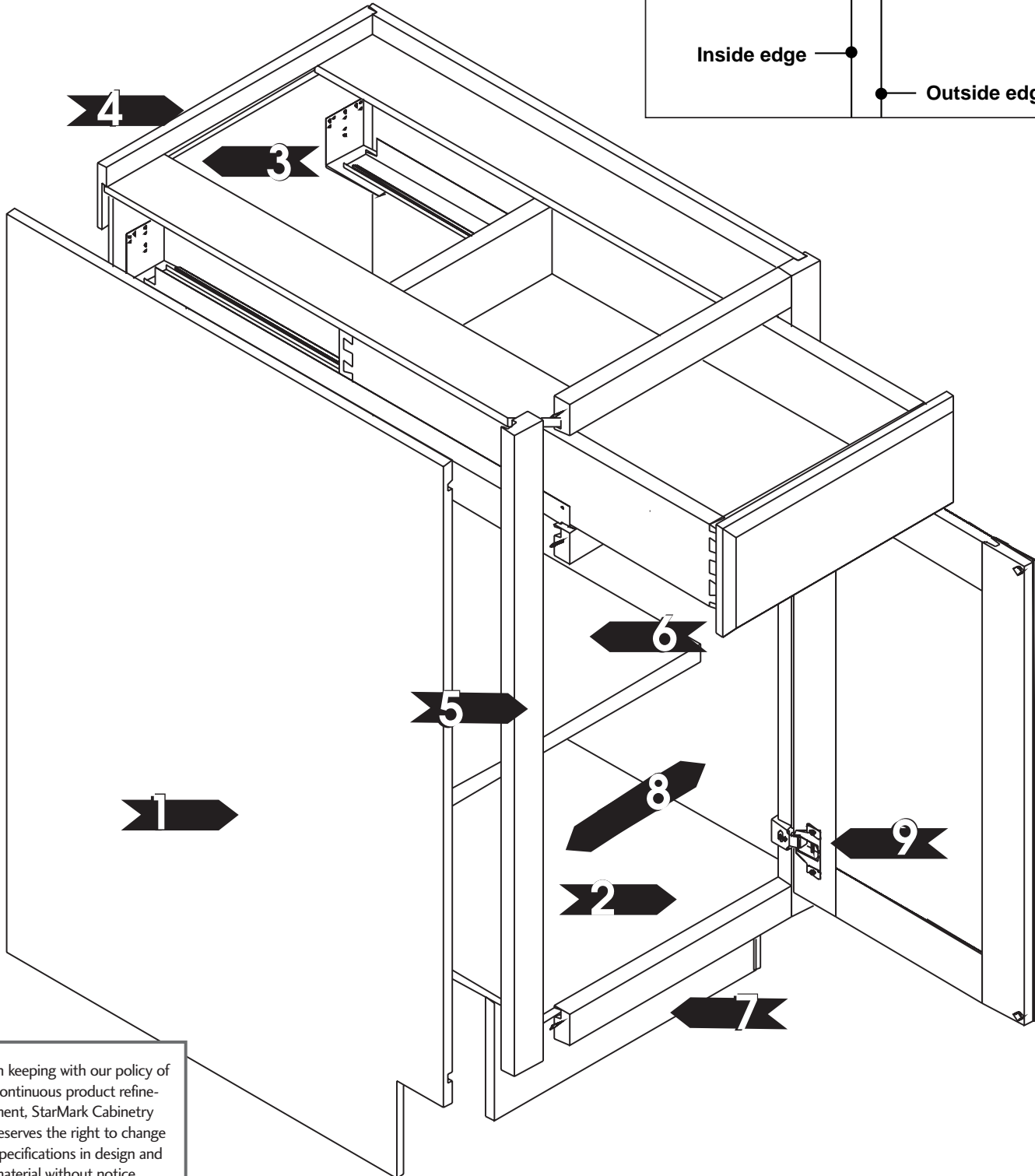
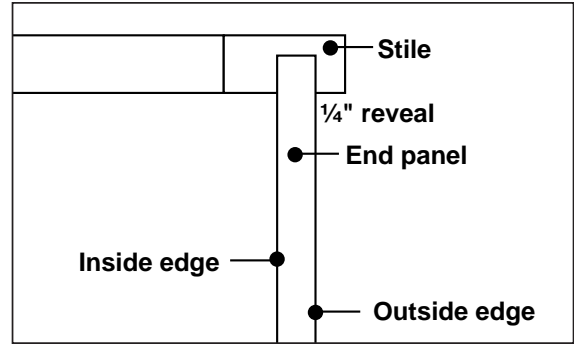
This symbol indicates information on a product, service or feature that gives StarMark and you a distinct competitive advantage.

Top View



In keeping with our policy of continuous product refinement, StarMark Cabinetry reserves the right to change specifications in design and material without notice.

Top View



In keeping with our policy of continuous product refinement, StarMark Cabinetry reserves the right to change specifications in design and material without notice.

StarMark Custom

► 6. SHELVES

Wall and base shelves are 3/4" thick engineered wood surfaced with natural birch melamine. Base shelves are two-thirds depth.

All wall cabinet shelves and base cabinet shelves are adjustable. Matching edge banding is attached to front of shelf.

Cabinets ordered with stained interiors receive 3/4" plywood shelves with veneer on both sides. The shelves receive stain, sealer and top coat.

OPTIONAL SHELVES

Full depth shelves: block 12810

Plywood shelves: block 12620



When you upgrade to plywood shelves, the cabinet becomes "all wood."

► 7. TOE BOARDS

Toe boards are unfinished 1/2" thick plywood, glued and stapled to and located between the end panels. Wood toe board trim (block 10000) is recommended to cover the toe boards.

► 8. INTERIOR

Cabinet interiors are surfaced with natural birch melamine.

Cabinets ordered with stained interiors (block 12330) have hardwood veneer on the interior. It is stained, sealed and topcoated.



Interiors in both lines—Collection and Custom—are the same, so you can blend cabinets from both lines and the interiors will match.

► 9. HINGES

A **six-way adjustable concealed hinge** is standard on all international and traditional doors except First Edition. The hinge has a quick and easy cam adjustment. It adjusts up and down, left and right, and in and out. The door will have a 106 degree swing.

Knife hinges are an option only on traditional door styles. Knife hinges have a dependable one-piece spring latch locking mechanism to hold doors closed with gentle tension. The swing of a door with a knife hinge will range between 120 to 165 degrees. The Bedford door style will not have a full 165 degree swing. Additionally, the swing of the door may be restricted by adjacent cabinetry, decorative hardware and other items. Knife hinges are self-closing, adjustable and finished in Antique Brass and polymer.

StarMark Collection

► 6. SHELVES

Wall and base shelves are 3/4" thick engineered wood surfaced with natural birch melamine. Base shelves are half depth.

All wall cabinet shelves and base cabinet shelves are adjustable. Matching edge banding is attached to front of shelf.

Cabinets ordered with stained interiors receive 3/4" plywood shelves with veneer on both sides. The shelves receive stain, sealer and top coat.

OPTIONAL SHELVES

Full depth shelves: block 12810

► 7. TOE BOARDS

Toe boards are unfinished 1/2" thick plywood, glued and stapled to and located between the end panels. Wood toe board trim (block 10000) is recommended to cover the toe boards.

► 8. INTERIOR

Cabinet interiors are surfaced with natural birch melamine.

Cabinets ordered with stained interiors (block 12330) have hardwood veneer on the interior. It is stained, sealed and topcoated.



Interiors in both lines—Collection and Custom—are the same, so you can blend cabinets from both lines and the interiors will match.

► 9. HINGES

A **six-way adjustable concealed hinge** is standard on all international and traditional doors except First Edition. The hinge has a quick and easy cam adjustment. It adjusts up and down, left and right, and in and out. The door will have a 106 degree swing.

Knife hinges are an option only on traditional door styles. Knife hinges have a dependable one-piece spring latch locking mechanism to hold doors closed with gentle tension. The swing of a door with a knife hinge will range between 120 to 165 degrees. The Bedford door style will not have a full 165 degree swing. Additionally, the swing of the door may be restricted by adjacent cabinetry, decorative hardware and other items. Knife hinges are self-closing, adjustable and finished in Antique Brass and polymer.