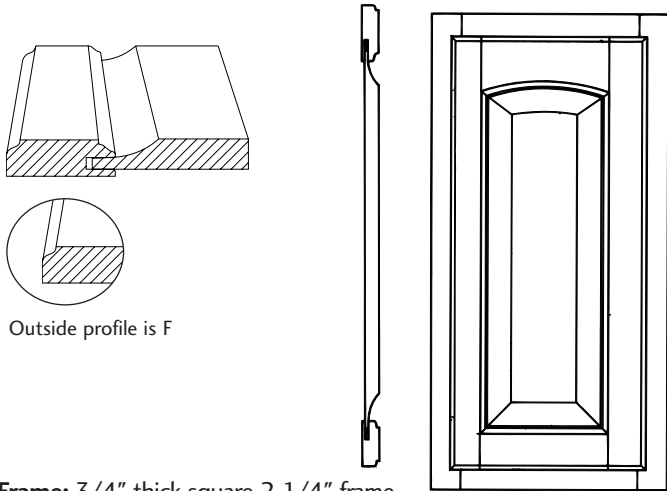


ALITE



Outside profile is F

Frame: 3/4" thick square 2 1/4" frame
Center Panel: 5/8" solid wood

Specie	Alder	Cherry	Maple	Hickory	White Oak
Price Column	*	7	6	3	2
Specie	Rustic Alder	Rustic Cherry	Rustic Hickory		
Price Column	*	7 (+6%)	3 (+6%)		
* price column will be announced					
Overlay	Traditional				
Outside Profile	F				
Hinge	Concealed or Knife				
Options	Is it available?				
5-Piece Header	No				
Regent Profile	Yes \$24 per drawer front on Collection N/C on Custom page 54				
Decorator Edge	Yes page 55				
Furniture Pegs	Yes page 56				
Finger Routes	Yes page 56				
Bevel Pulls	Yes page 56				
Insert Doors	Yes Block 12000				
Mullion Doors	Yes Block 12030				
Thornton Insert Door	Yes Block 12008				
Veg Storage Drawer	Yes Block 12044				
Radius Doors	Yes				
Walls	Yes				
Bases	Tudor				
Talls	Upper doors - Yes Lower doors will be Tudor				
Vanities	Yes				

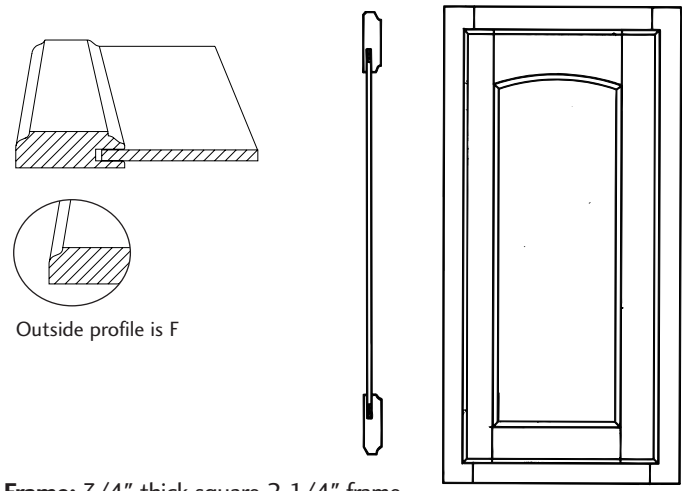
NOTES/CAUTIONS

1. Glaze may not be noticeable on this door style.
2. Upper and lowers doors will be Alite when a vanity cabinet is 31 1/2" or taller. In vanity cabinets less than 31 1/2", the lower doors will be Tudor.

Full Access for Traditional door styles

A cabinet that is 24" to 36" wide can be manufactured without the face frame center mullion. To order, prefix the cabinet nomenclature with a **2**. This is a no-charge option. Base cabinets and certain wall cabinets will receive full-width drawer or header.

ASHFORD



Outside profile is F

Frame: 3/4" thick square 2 1/4" frame
Center Panel: 1/4" veneered

Specie	White Oak
Price Column	1
Overlay	Traditional
Outside Profile	F
Hinge	Concealed or Knife
Options	Is it available?
5-Piece Header	No
Regent Profile	No
Decorator Edge	Yes page 55
Furniture Pegs	Yes page 56
Finger Routes	Yes page 56
Bevel Pulls	Yes page 56
Insert Doors	Yes Block 12000
Mullion Doors	Yes Block 12030
Thornton Insert Door	Yes Block 12008
Veg Storage Drawer	Yes Block 12044
Radius Doors	No
Walls	Yes
Bases	Salem
Talls	Upper doors - Yes Lower doors will be Salem
Vanities	Yes

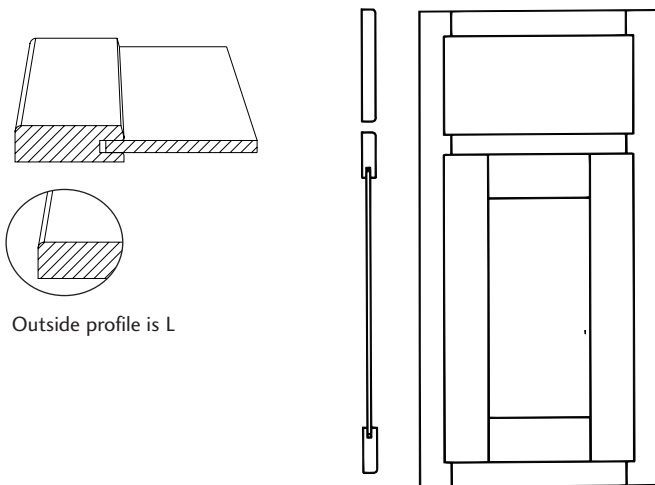
NOTES/CAUTIONS

1. Veneer center panel may have color variation from solid wood frame.

Hinge Options for Traditional door styles

Knife hinges are an option only on traditional door styles. Knife hinges have a dependable one-piece spring latch locking mechanism to hold doors closed with gentle tension. The swing of a door with a knife hinge will range between 120 to 165 degrees. The Bedford door style will not have a full 165 degree swing. Additionally, the swing of the door may be restricted by adjacent cabinetry, decorative hardware and other items. Knife hinges are self-closing, adjustable and finished in Antique Brass and polymer.

BEDFORD



Outside profile is L

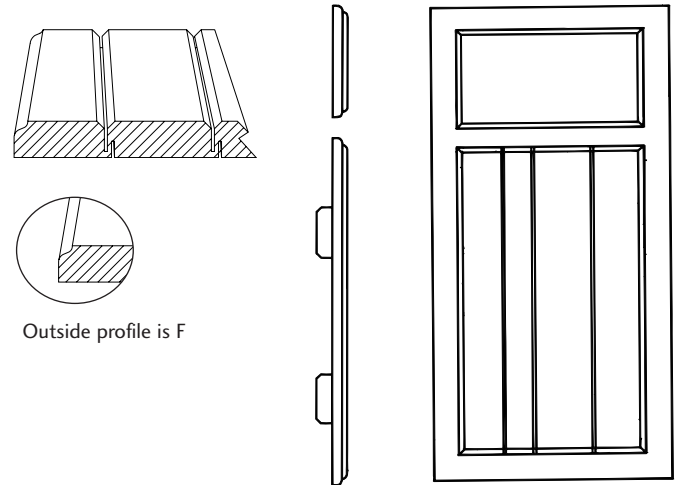
Frame: 3/4" thick square 2 1/4" frame
Center Panel: 1/4" veneered

Specie	Cherry	Maple	Hickory	White Oak
Price Column	2	2	2	1
Overlay	Traditional			
Outside Profile	L			
Hinge	Concealed or Knife			
Options	Is it available?			
5-Piece Header	No			
Regent Profile	No			
Decorator Edge	Yes		page 55	
Furniture Pegs	Yes		page 56	
Finger Routes	Yes		page 56	
Bevel Pulls	Yes		page 56	
Insert Doors	Yes		Block 12000	
Mullion Doors	Yes		Block 12030	
Thornton Insert Door	Yes		Block 12008	
Veg Storage Drawer	Yes		Block 12044	
Radius Doors	No			
Walls	Yes			
Bases	Yes			
Talls	Yes			
Vanities	Yes			

NOTES/CAUTIONS

1. Glaze may not be noticeable on this door style.
2. Veneer center panel may have color variation from solid wood frame.

FIRST EDITION



Outside profile is F

Frame: 3/4" thick solid wood door with grooves to create a planked look with battens applied on back

Specie	Rustic Hickory	
Price Column	3	
Overlay	Traditional	
Outside Profile	F	
Hinge	Knife only	
Options	Is it available?	
5-Piece Header	No	
Regent Profile	No	
Decorator Edge	No	
Furniture Pegs	No	
Finger Routes	No	
Bevel Pulls	No	
Insert Doors	Yes	Block 12000
Mullion Doors	Yes	Block 12030
Thornton Insert Door	No	
Veg Storage Drawer	Yes	Block 12044
Radius Doors	No	
Walls	Yes	
Bases	Yes	
Talls	Yes	
Vanities	Yes	

NOTES/CAUTIONS

1. Rustic characteristics on door and drawer front are common.

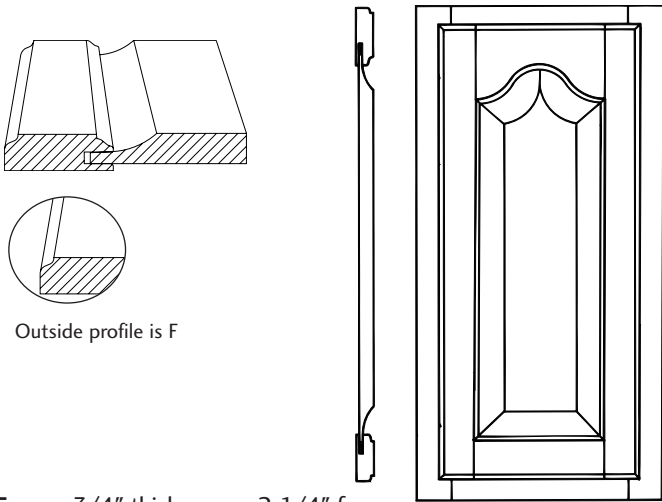
Full Access for Traditional door styles

A cabinet that is 24" to 36" wide can be manufactured without the face frame center mullion. To order, prefix the cabinet nomenclature with a **2**. This is a no-charge option. Base cabinets and certain wall cabinets will receive full-width drawer or header.

Hinge Options for Traditional door styles

Knife hinges are an option only on traditional door styles. Knife hinges have a dependable one-piece spring latch locking mechanism to hold doors closed with gentle tension. The swing of a door with a knife hinge will range between 120 to 165 degrees. The Bedford door style will not have a full 165 degree swing. Additionally, the swing of the door may be restricted by adjacent cabinetry, decorative hardware and other items. Knife hinges are self-closing, adjustable and finished in Antique Brass and polymer.

ROYALE



Outside profile is F

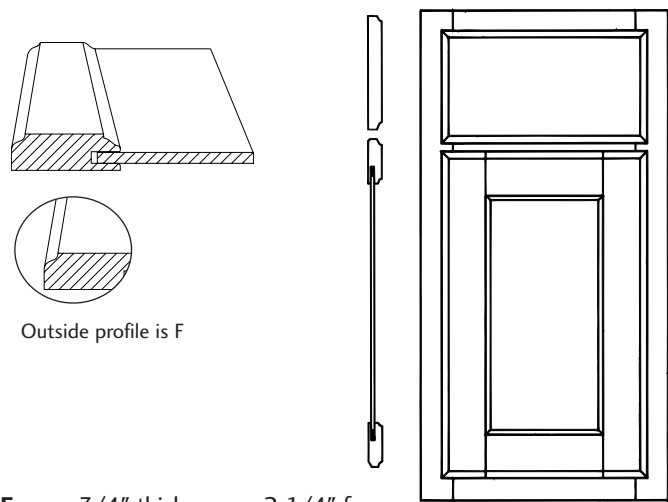
Frame: 3/4" thick square 2 1/4" frame
Center Panel: 5/8" solid wood

Specie	Cherry	White Oak	
Price Column	7	2	
Overlay	Traditional		
Outside Profile	F		
Hinge	Concealed or Knife		
Options	Is it available?		
5-Piece Header	No		
Regent Profile	Yes		page 54
Decorator Edge	Yes		page 55
Furniture Pegs	Yes		page 56
Finger Routes	Yes		page 56
Bevel Pulls	Yes		page 56
Insert Doors	Yes		Block 12000
Mullion Doors	Yes		Block 12030
Thornton Insert Door	Yes		Block 12008
Veg Storage Drawer	Yes		Block 12044
Radius Doors	Yes		
Walls	Yes		
Bases	Tudor		
Tall Cabinets	Upper doors - Yes Lower doors will be Tudor		
Vanities	Yes		

NOTES/CAUTIONS

1. Glaze may not be as noticeable on this door style.

SALEM



Outside profile is F

Frame: 3/4" thick square 2 1/4" frame
Center Panel: 1/4" veneered

Specie	Maple	White Oak	
Price Column	2	1	
Overlay	Traditional		
Outside Profile	F		
Hinge	Concealed or Knife		
Options	Is it available?		
5-Piece Header	No		
Regent Profile	No		
Decorator Edge	Yes		page 55
Furniture Pegs	Yes		page 56
Finger Routes	Yes		page 56
Bevel Pulls	Yes		page 56
Insert Doors	Yes		Block 12000
Mullion Doors	Yes		Block 12030
Thornton Insert Door	Yes		Block 12008
Veg Storage Drawer	Yes		Block 12044
Radius Doors	No		
Walls	Yes		
Bases	Yes		
Talls	Yes		
Vanities	Yes		

NOTES/CAUTIONS

1. Glaze may not be as noticeable on this door style.
2. Veneer center panel may have color variation from solid wood frame.

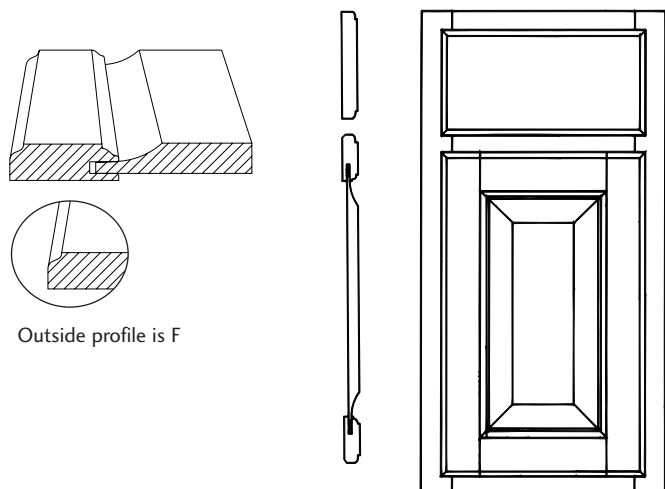
Full Access for Traditional door styles

A cabinet that is 24" to 36" wide can be manufactured without the face frame center mullion. To order, prefix the cabinet nomenclature with a **2**. This is a no-charge option. Base cabinets and certain wall cabinets will receive full-width drawer or header.

Hinge Options for Traditional door styles

Knife hinges are an option only on traditional door styles. Knife hinges have a dependable one-piece spring latch locking mechanism to hold doors closed with gentle tension. The swing of a door with a knife hinge will range between 120 to 165 degrees. The Bedford door style will not have a full 165 degree swing. Additionally, the swing of the door may be restricted by adjacent cabinetry, decorative hardware and other items. Knife hinges are self-closing, adjustable and finished in Antique Brass and polymer.

TUDOR



Outside profile is F

Frame: 3/4" thick square 2 1/4" frame

Center Panel: 5/8" solid wood

Specie	Alder	Cherry	Maple	Hickory	White Oak
Price Column	*	7	6	3	2
Specie	Rustic Alder	Rustic Cherry	Rustic Hickory		
Price Column	*	7 (+6%)	3 (+6%)		

* price column will be announced

Overlay	Traditional
Outside Profile	F
Hinge	Concealed or Knife
Options	Is it available?
5-Piece Header	No
Regent Profile	Yes \$24 per drawer front on Collection, N/C on Custom page 54
Decorator Edge	Yes page 55
Furniture Pegs	Yes page 56
Finger Routes	Yes page 56
Bevel Pulls	Yes page 56
Insert Doors	Yes Block 12000
Mullion Doors	Yes Block 12030
Thornton Insert Door	Yes Block 12008
Veg Storage Drawer	Yes Block 12044
Radius Doors	Yes
Walls	Yes
Bases	Yes
Talls	Yes
Vanities	Yes

NOTES/CAUTIONS

1. Glaze may not be noticeable on this door style.

Full Access for Traditional door styles

A cabinet that is 24" to 36" wide can be manufactured without the face frame center mullion. To order, prefix the cabinet nomenclature with a **2**. This is a no-charge option. Base cabinets and certain wall cabinets will receive full-width drawer or header.

Hinge Options for Traditional door styles

Knife hinges are an option only on traditional door styles. Knife hinges have a dependable one-piece spring latch locking mechanism to hold doors closed with gentle tension. The swing of a door with a knife hinge will range between 120 to 165 degrees. The Bedford door style will not have a full 165 degree swing. Additionally, the swing of the door may be restricted by adjacent cabinetry, decorative hardware and other items. Knife hinges are self-closing, adjustable and finished in Antique Brass and polymer.